

Figure 1. Physical Photo of ATHV12V3KV3MAW

FEATURES

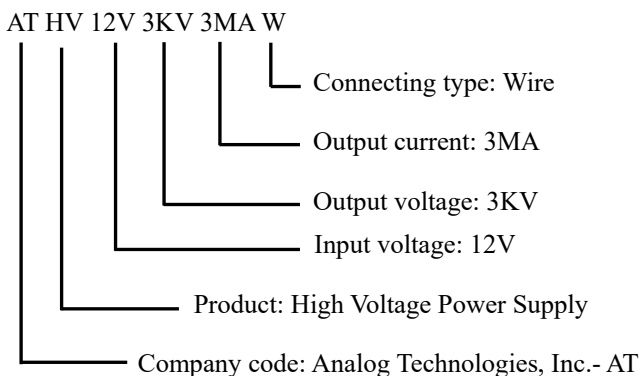
- High precision
- Full modulation range on output voltage
- Linear regulation

APPLICATIONS

This power module, ATHV12V3KV3MAW, is designed for achieving DC-DC conversion from low voltage to high voltage, and it can be widely used for industrial measurement and control, energy spectrum analysis, medical equipment, environmental monitoring, etc.

DESCRIPTION

Naming instructions



Draw a clear distinction between input lead and output lead: input 12V (red lead), ground electrodes (black lead), regulation wire (white lead), reference voltage 5V (yellow lead), and output high-tension cable (thick brown lead).

While regulating the potentiometer, connect the intermediate tap of the potentiometer with white lead, and connect the other two ends to ground (black lead) and reference voltage (yellow lead) respectively. Switch on the power, and regulate the potentiometer to have the required output voltage.

SAFETY PRECAUTIONS

The internal protection circuit is provided in the high voltage power supply, but the high voltage short circuit shall be avoided.

Make sure the circuit is insulated perfectly, especially between the high voltage output and the surroundings so as to avoid electronic shock.



SPECIFICATIONS

Table 1. Characteristics

Parameter	Test Condition	Min. Value	Typ. Value	Max. Value	Unit/Note
Power Supply Voltage	25°C	11	12	13	V
Ambient Operating Temperature			-20~50		°C
Maximum Output Voltage	25°C		3000		V
Maximum Output Current	25°C		1		mA
Stability of Reference Voltage-V _{REF}	25°C	4.98	5	5.02	V
Regulation mode	25°C		0 ~ 5V or 10K potentiometer		
Control input impedance	25°C		1		MΩ
Temperature drift	V _{REF} temperature drift	-20°C ~ 50°C	<0.2%		
	V _{OUT} temperature drift		<0.5%		
Time drift	Short time drift	25°C	<0.5%/ min		
	Long time drift	25°C	<1%/h		
Load regulation rate	1 ± 1 MΩ		±0.5%		
Control Input vs. Output linearity	25°C		<0.2%		
External dimensions			82×55×28		mm
Weight			210		g
			7.4		Oz

TESTING DATA

I. DC Testing

High voltage power supply testing data (Test condition: the load is 1 MΩ)

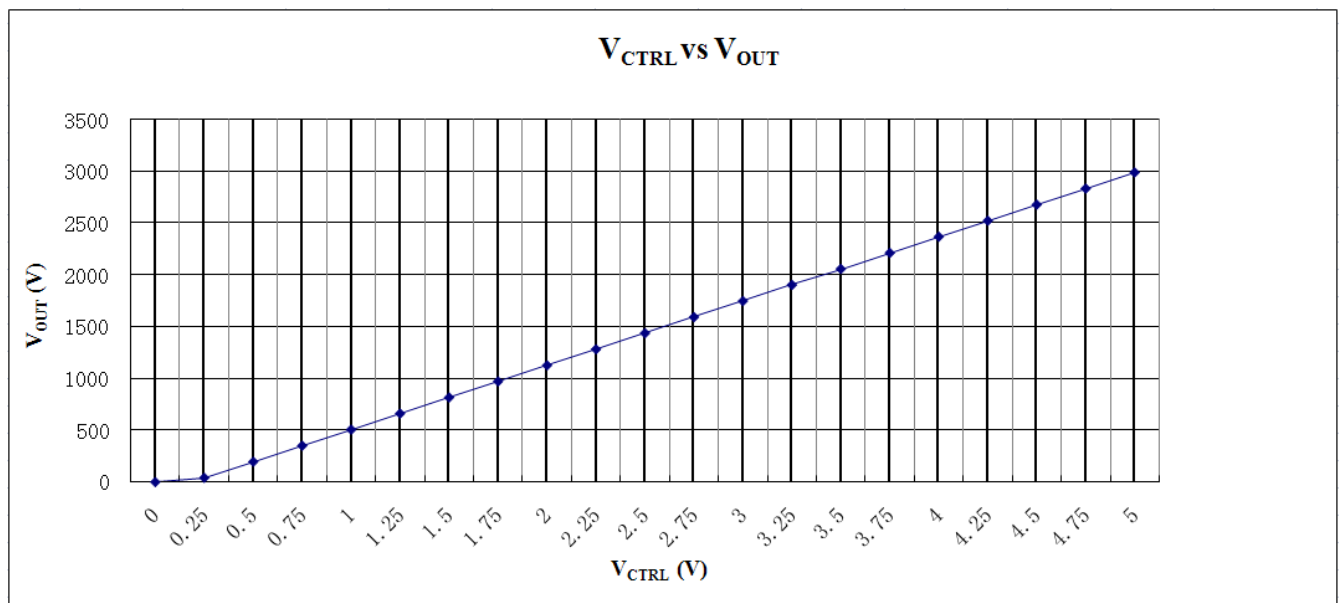


Figure 2. V_{CTRL} vs. V_{OUT}



II. AC Testing

Waveform curve and rise & fall time are tested by using the control voltage supplied by signal generator.

Under the testing condition of modulation frequency 0.1Hz, control voltage 0.25 ~ 5V, and 1MΩ load, the output voltage is 40 ~ 3000V.

Note: as shown in the figures below, the output voltage is represented by yellow line and the control voltage by red line.

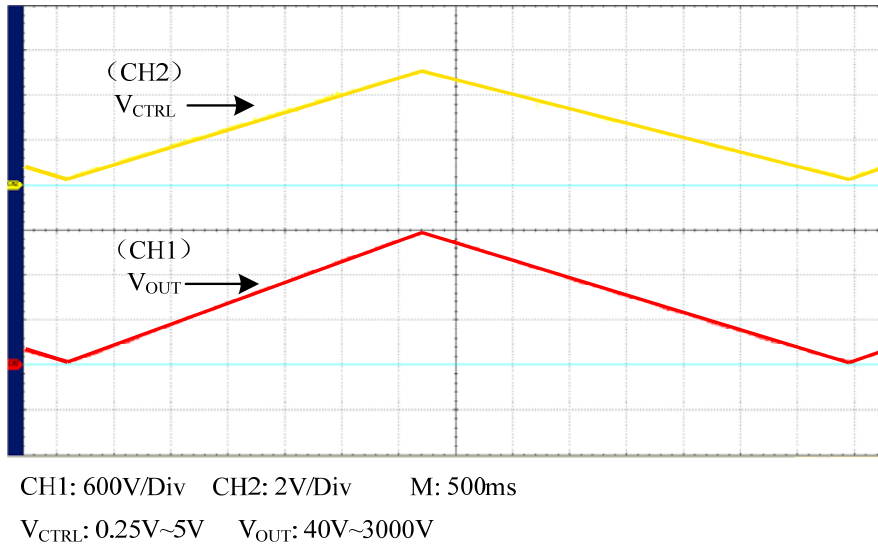


Figure 3. Triangle Wave

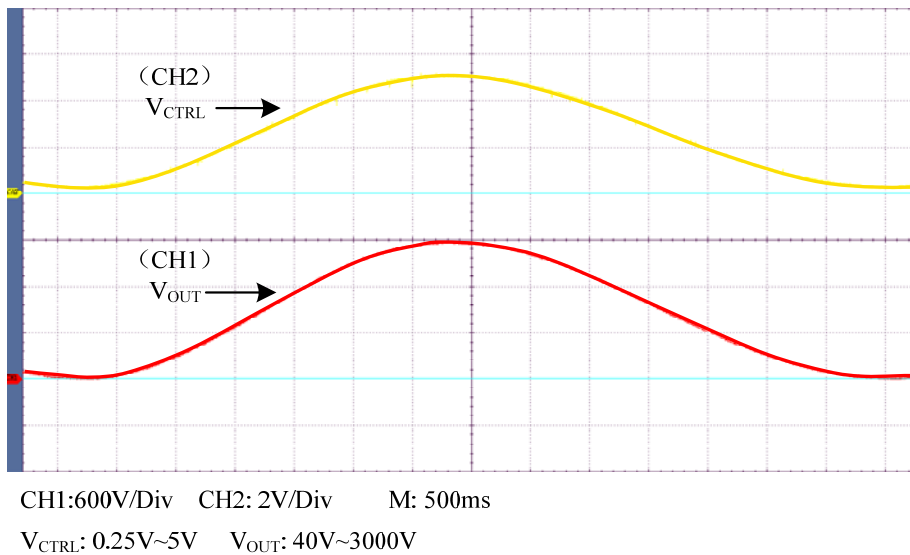
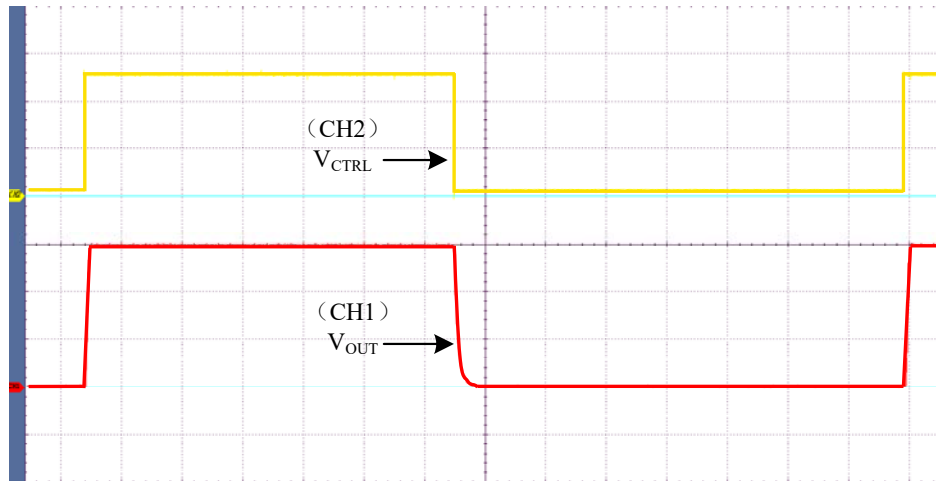
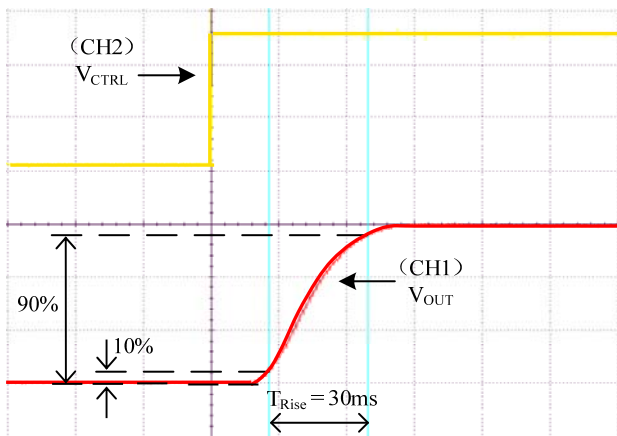


Figure 4. Sine Wave



CH1: 600V/Div CH2: 2V/Div M: 500ms
V_CTRL: 0.25V~5V V_OUT: 40V~3000V

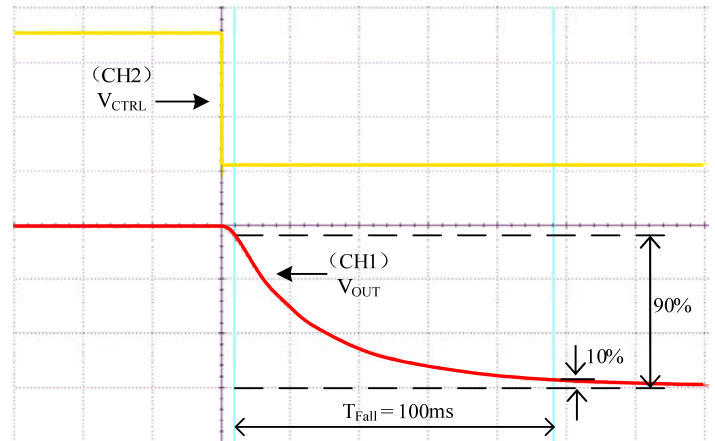
Figure 5. Square Wave



CH1: 600V/Div CH2: 2V/Div M: 20ms
V_CTRL: 0.25V~5V V_OUT: 40V~3000V

Figure 6. Rise Time

As shown in Figure 6, when a square wave of 0.25V ~ 5V, F=0.10Hz is applied to Control, measure the waveform. The rise time is about 30ms.



CH1:600V/Div CH2: 2V/Div M: 20ms
V_CTRL: 0.25V~5V V_OUT: 40V~3000V

Figure 7. Fall Time

As shown in Figure 7, when a square wave of 0.25V ~ 5V, F=0.10Hz is applied to Control, measure the waveform. The fall time is about 100ms.



THE CONNECTION DIAGRAM OF MODULE'S PERIPHERAL CIRCUIT

The leads colors in the figures below are identical with those in the physical ATHV12V3KV3MAW.

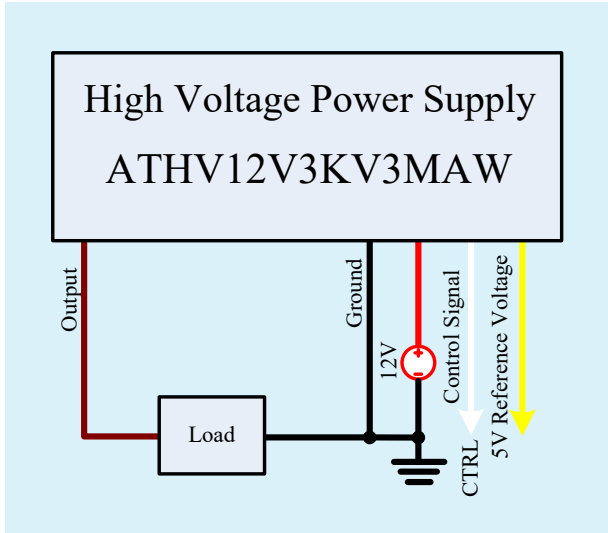


Figure 8. Control by External Signal Source

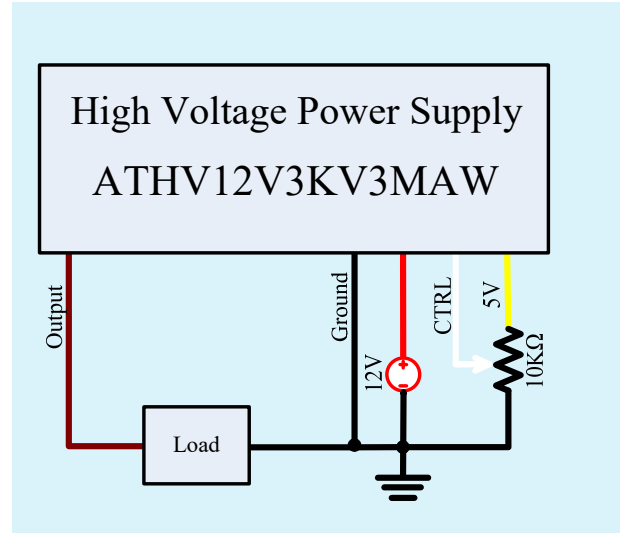


Figure 9. Constant Output Voltage

DIMENSIONS

I. Dimension of the leads.



Figure 10. Leads of ATHV12V3KV3MAW

Leads	Diameter (mm)	Length (mm)
Thick brown lead	4.5	26
Yellow, red, black and white leads	1.5	23



II. Dimension of ATHV12V3KV3MAW.

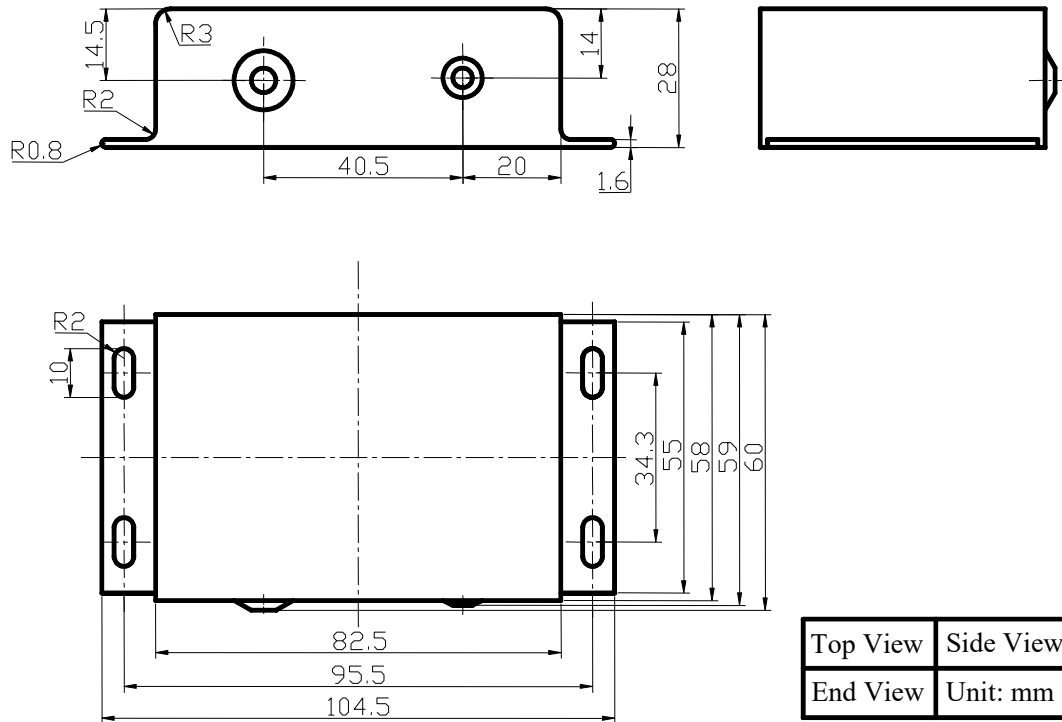


Figure 11. Dimensions for ATHV12V3KV3MAW

NOTICE

- ATI warrants performance of its products for one year to the specifications applicable at the time of sale, except for those being damaged by excessive abuse. Products found not meeting the specifications within one year from the date of sale can be exchanged free of charge.
- ATI reserves the right to make changes to its products or to discontinue any product or service without notice, and advise customers to obtain the latest version of relevant information to verify, before placing orders, that information being relied on is current and complete.
- All products are sold subject to the terms and conditions of sale supplied at the time of order acknowledgment, including those pertaining to warranty, patent infringement, and limitation of liability. Testing and other quality control techniques are utilized to the extent ATI deems necessary to support this warranty. Specific testing of all parameters of each device is not necessarily performed, except those mandated by government requirements.
- Customers are responsible for their applications using ATI components. In order to minimize risks associated with the customers' applications, adequate design and operating safeguards must be provided by the customers to minimize inherent or procedural hazards. ATI assumes no liability for applications assistance or customer product design.
- ATI does not warrant or represent that any license, either express or implied, is granted under any patent right, copyright, mask work right, or other intellectual property right of ATI covering or relating to any combination, machine, or process in which such products or services might be or are used. ATI's publication of information regarding any third party's products or services does not constitute ATI's approval, warranty or endorsement thereof.
- IP (Intellectual Property) Ownership: ATI retains the ownership of full rights for special technologies and/or techniques embedded in its products, the designs for mechanics, optics, plus all modifications, improvements, and inventions made by ATI for its products and/or projects.