

Figure 1. Photo of AT202KNL

FEATURES

- Isolated Power Outputs
- Small Size: 4 Channels/Inch Low
- Uncommitted Input Amplifier
- High CMR: 130dB (Gain = 100V/V)
- High Accuracy: $\pm 0.005\%$ Max Nonlinearity
- High CMV Isolation: $\pm 2000\text{V}$ pk Continuous

APPLICATIONS

It can be applied for multichannel data acquisition, current shunt measurements motor controls, process signal isolation, high voltage instrumentation amplifier, etc.

DESCRIPTION

The AT202KNL is a high voltage isolation amplifier designed for multiple applications where input signals are measured, processed, or transmitted without a galvanic connection. These isolation amplifiers in DIP package offer a signal and power isolation function.

With internal transformer-coupling, the AT202KN provides total galvanic isolation between the input and output stages of the isolation amplifier. These amplifiers eliminate the need for an external DC-DC converter, which allows the designer to minimize the necessary circuit overhead, thus reducing the overall design and component costs.

The AT202KNL is powered directly from a 15V DC power supply, featuring small size, high accuracy, low power, wide bandwidth, excellent performance, flexible input, isolated power, etc.

INSIDE THE AT202KNL

The AT202KNL uses an amplitude modulation technique to permit transformer coupling of signals down to dc (Figure 2). It also contains an uncommitted input op amp and a power transformer that provides isolated power to the op amp, the modulator, and any external load. The power transformer primary is driven by a 25kHz, 15V_{P-P} square wave generated internally.

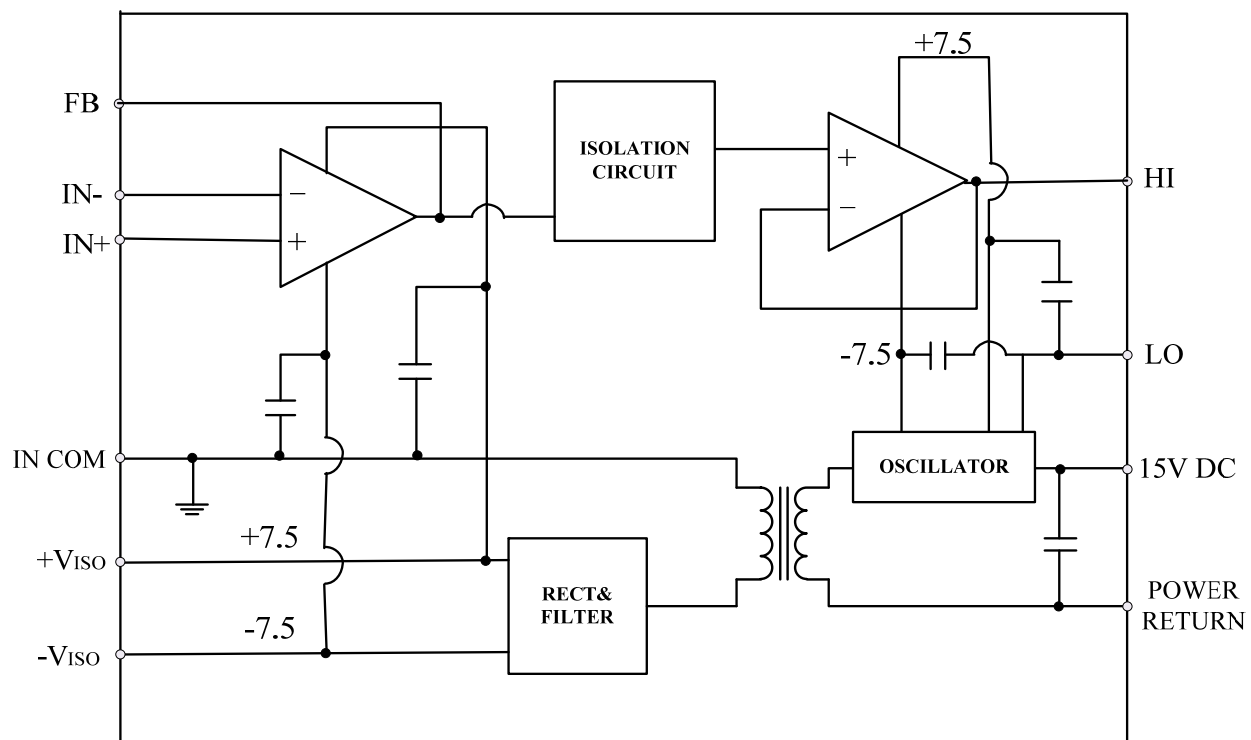


Figure 2. AT202KNL Functional Block Diagram

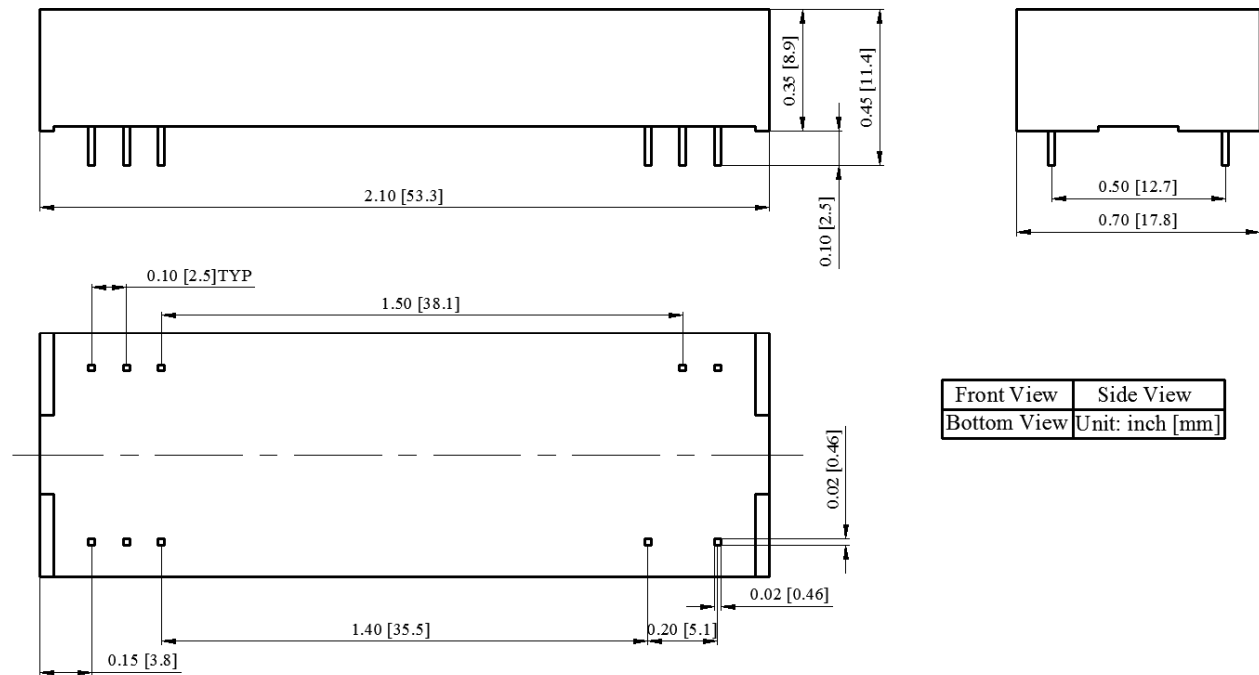
SPECIFICATIONS

 Table 1. Electrical characteristics. (Typical @ 25°C and $V_S = 15V$ unless otherwise noted.)

Model	AT202KNL
GAIN	
Range	1V/V–100 V/V
Error	±0.5% typ (±4% max)
vs. Temperature	±20ppm/°C typ (±45ppm/°C max)
vs. Time	±50 ppm/1000 Hours
vs. Supply Voltage	±0.01%/V
Nonlinearity (G = 1V/V)	±0.005 max
Nonlinearity vs. Isolated Supply Load	±0.0015%/mA
INPUT VOLTAGE RATINGS	
Input Voltage Range	±5V
Max Isolation Voltage (Input to Output)	
AC, 60Hz, Continuous	1500Vms
Continuous (AC and DC)	±2000V Peak
Isolation-Mode Rejection Ratio (IMRR)	
@ 60 Hz	
RS ≤ 100Ω (HI and LO Inputs) G = 1V/V	105dB
G = 100V/V	130dB
RS ≤ 1 kΩ (Input HI, LO, or Both) G = 1V/V	100dB min
G = 100V/V	110dB min
Leakage Current Input to Output	
@ 240Vrms, 60 Hz	2μA rms max
INPUT IMPEDANCE	
Differential (G = 1V/V)	10 ¹² Ω
Common-Mode	2GΩ/4.5pF
INPUT BIAS CURRENT	
Initial, @ 25°C	±30pA
vs. Temperature (0°C to 70°C)	±10nA
INPUT DIFFERENCE CURRENT	
Initial, @ 25°C	±5pA
vs. Temperature (0°C to 70°C)	±2nA
INPUT NOISE	
Voltage, 0.1Hz to 10Hz	1.8μV _{P-P}
f > 100Hz	10.8nV/√Hz
FREQUENCY RESPONSE	
Bandwidth ($V_O \leq 10V_{P-P}$, G = 1V–50V/V)	10kHz
Settling Time, to ±10mV (10V Step)	1ms
OFFSET VOLTAGE (RTI)	
Initial, @ 25°C Adjustable to Zero	(±5 ± 5/G)mV max
vs. Temperature (0°C to 70°C)	[±10 ± $\frac{10}{G}$] μV/°C
RATED OUTPUT	
Voltage (Out HI to Out LO)	±5V
Voltage at Out HI or Out LO (Ref. Pin 32)	±6.5V
Output Resistance	7kΩ
Output Ripple, 100kHz Bandwidth	10mV _{P-P}
5kHz Bandwidth	0.5mV rms
ISOLATED POWER OUTPUT	
Voltage, No Load	±7.5V
Accuracy	±10%
Current	400μA Total
Regulation, No Load to Full Load	5%
Ripple	100mV _{P-P}
POWER SUPPLY	
Voltage, Rated Performance	15V±5%
Voltage, Operating	15V±10%
Current, No Load ($V_S = 15V$)	2mA
TEMPERATURE RANGE	
Rated Performance	0°C to 70°C
Operating	–40°C to +85°C
Storage	–40°C to +85°C
PACKAGE DIMENSIONS	
DIP Package (N)	2.10"×0.700"×0.350"

MECHANICAL DIMENSIONS

The dimensions of AT202KNL in DIP package are shown in Figure 3.



Front View	Side View
Bottom View	Unit: inch [mm]

Figure 3. Dimensions of AT202KN DIP Package



NOTICE

1. ATI warrants performance of its products for one year to the specifications applicable at the time of sale, except for those damaged by excessive abuse. Products found not meeting the specifications within one year from the date of sale can be exchanged free of charge.
2. ATI reserves the right to make changes to its products or to discontinue any product or service without notice and advise customers to obtain the latest version of relevant information to verify, before placing orders, that information being relied on is current and complete.
3. All products are sold subject to the terms and conditions of sale supplied at the time of order acknowledgment, including those pertaining to warranty, patent infringement, and limitation of liability. Testing and other quality control techniques are utilized to the extent ATI deems necessary to support this warranty. Specific testing of all parameters of each device is not necessarily performed, except those mandated by government requirements.
4. Customers are responsible for their applications using ATI components. In order to minimize risks associated with the customers' applications, adequate design and operating safeguards must be provided by the customers to minimize inherent or procedural hazards. ATI assumes no liability for applications assistance or customer product design.
5. ATI does not warrant or represent that any license, either expressed or implied, is granted under any patent right, copyright, mask work right, or other intellectual property right of ATI covering or relating to any combination, machine, or process in which such products or services might be or are used. ATI's publication of information regarding any third party's products or services does not constitute ATI's approval, warranty or endorsement thereof.
6. IP (Intellectual Property) Ownership: ATI retains the ownership of full rights for special technologies and/or techniques embedded in its products, the designs for mechanics, optics, plus all modifications, improvements, and inventions made by ATI for its products and/or projects.