



Figure 1.1. PCB Mount without Heat Sink



Figure 1.2. PCB Mount with Heat Sink



Figure 1.3. Terminal Block Mount without Heat Sink



Figure 1.4. Terminal Block with Heat Sink



Figure 1.5. Terminal Block DIN-Rail without Heat Sink

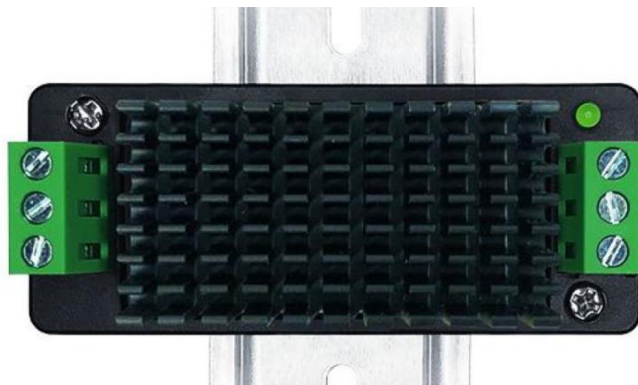


Figure 1.6. Terminal Block DIN-Rail with Heat Sink



FEATURES

- Wide Input Range: 18V ~ 36V
- Output Voltage: 5V
- Max. Output Current: 10A
- High Efficiency: 90% @ $V_{IN} = 18V$ & $I_{OUT} = 10A$
- Switching Frequency: 350kHz
- High Isolation Voltage: 1500VDC
- Low Standby Power Consumption $\leq 0.3W$
- Output Start time $\leq 20ms$
- Fully Protected: OCP, SCP, OVLO & UVLO
- Durable Construction: Aluminum Housing for EMI Shielding and Durable Construction
- Wide Operating Temperature Range: $-40^{\circ}C \sim +85^{\circ}C$
- Robust Protections: OCP, SCP, OVLO and UVLO

APPLICATIONS

Our AIDC24V5V10AP power module is designed to convert an unregulated voltage of 18V to 36V into a

regulated 5V output with a maximum current of 10A, making it an ideal power supply source for industrial applications that require high voltage isolation. With various packaging options for different mounting and power consumption needs (as shown in Figure 1), our power module is a versatile solution that can meet the demands of a wide range of applications.

Our power supply unit is 90% efficient at $V_{IN}=18V$ and $I_{OUT}=10A$, reducing power consumption and temperature rise. This eliminates the need for large heat sinks and prolongs the unit's lifespan. The power supply unit has low standby power consumption of less than or equal to 0.3W, making it energy-efficient and eco-friendly. The unit has an isolation voltage of 1500VDC, ensuring complete isolation between the input and output circuits. The power supply unit has low standby power consumption of less than or equal to 0.3W, making it energy efficient and eco-friendly.

DESCRIPTION AND SPECIFICATIONS

Our power module is designed to operate reliably under extreme conditions, with built-in over-current, short-circuit, over-voltage, and under-voltage protections. With a mean time between failure of 2×10^5 hours (equivalent to 23 years of continuous use), you can trust that it will keep your equipment running smoothly for years to come. Our power module comes in three different mounting packages PCB, terminal block, and DIN-Rail with or without heat sinks. Heat sinks are recommended for applications with output currents greater than 6A, while applications with output currents below 6A can operate without the need for a heat sink. Our power supply unit features a sturdy aluminum housing that provides both EMI shielding and durable construction, making it an ideal choice for demanding environments. Our power supply unit is designed to withstand extreme temperatures, with a wide operating range of $-40^{\circ}C$ to $+85^{\circ}C$. This makes it a versatile and reliable choice for use in a variety of industrial and commercial settings.

Table 1. Pin Names AND Functions.

No.	Name	Type	Description
1	SDN	Digital Input	Shutdown Control
2	VIN-	Power Input	Negative Input Voltage
3	VIN+	Power Input	Positive Input Voltage
4	VOUT+	Power Output	Positive Output Voltage
5	VOUT-	Power Output	Negative Output Voltage
6	TRIM	Analog Input	Trimming Input

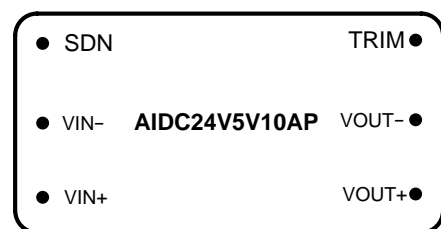


Figure 2. Pin Names and Location

Table 2. Specifications



INPUT						
Parameter	Symbol	Test Conditions	Min.	Typ.	Max.	Unit/Note
Input Voltage	V_{IN}		18	24	36	V
Input Current	I_{IN}	Full Load		2.3		A
		No Load		50		mA
Surge Voltage (1sec. max.)					50	VDC
Under Voltage Lockout	UVLO			16		V
Shutdown	V_{SDNH}	ON	3.5		12	V
	V_{SDNL}	OFF	0		1.2	V
	I_{SDN}			150		mA
Start-up time	t_s			20		ms
Filter			Pi Filter			
OUTPUT						
Parameter	Symbol	Test Conditions	Min.	Typ.	Max.	Unit/Note
Output Voltage	V_{OUT}		4.95	5	5.05	V
Output Current	I_{OUT}				10	A
Output Voltage Accuracy			-2		2	%
Line Regulation	$\frac{\Delta V_{OUT}}{\Delta V_{VP}}$ s		-1		1	%
Load Regulation	$\frac{\Delta V_{OUT}}{\Delta I_{OUT}}$	Load change from 10% to 100%	-2		2	%
Ripple & Noise					100	mV _{p-p}
Output Over Voltage Lockout	OVLO		$1.1V_{OUT}$		$2V_{OUT}$	
Output Over Current Protection			$1.1I_{OUT}$	$1.5I_{OUT}$	$2I_{OUT}$	
Capacitive Load					8000	μ F
Efficiency	η			90		%
Output Voltage Regulation		Trim Pin Function	-10		10	%
Output Voltage Drift	$\Delta V_{OUT}/\Delta t$		$\leq \pm 8\%/500\mu s$			
GENERAL CHARACTERISTIC						
Parameter	Symbol	Test Conditions	Min.	Typ.	Max.	Unit/Note
Isolation Voltage	V_{is}			1500		VDC
Isolation Capacitance				2000		pF
Isolation Resistance			100			M Ω
Switching Frequency	f_{sw}			350		kHz
Parameter	Symbol	Test Conditions	Min.	Typ.	Max.	Unit/Note



Operating Temperature Range	T _{opr}		-40		85	°C
Storage Temperature Range	T _{stg}		-55		125	°C
Maximum Case Temperature	T _{cs}	T _A = 25°C			105	°C
Storage Relative Humidity Range	RH		5		95	%
Mean Time Between Failure	MTBF	MIL-HDBK-217F@25°C		2×10 ⁵		Hrs
Case Material			Aluminum			
Weight				28		g
				0.062		lbs
				0.988		Oz
EMC CHARACTERISTIC						
EMI	Conducted Emissions	CISPR32/EN55032 CLASS B				
	Radiated Emissions	CISPR32/EN55032 CLASS B				
EMS	ESD	IEC/EN61000-4-2 Contact ±4kV	perf.Criteria B			
	Radiated Immunity	IEC/EN61000-4-3 10V/m	perf.Criteria A			
	EFT/Burst	IEC/EN61000-4-4 ±2kV	perf.Criteria B			
	Surge	IEC/EN61000-4-5 ±2kV	perf.Criteria B			
	Conducted Immunity	IEC/EN61000-4-6 3Vr.m.s	perf.Criteria A			

TYPICAL PERFORMANCE CHARACTERISTICS

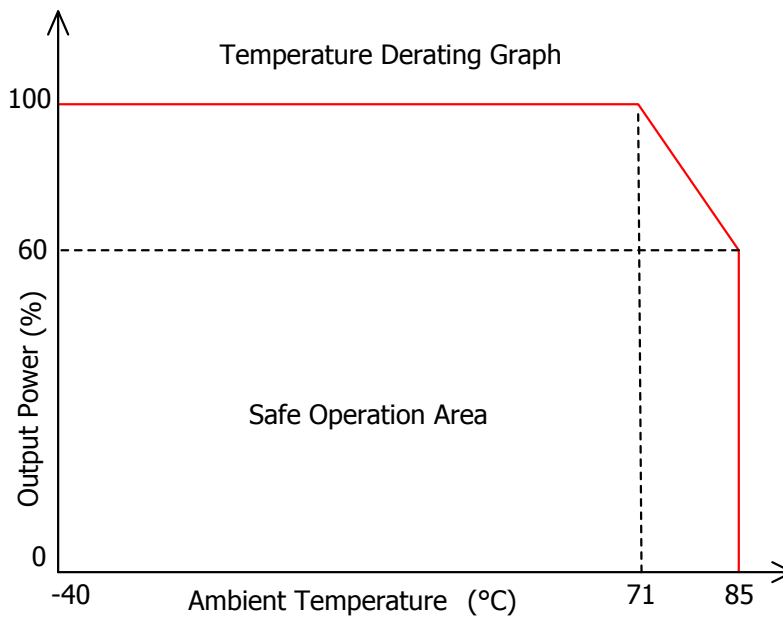




Figure 3. Derating Curve

TRIM APPLICATIONS CIRCUITS

The output voltage can be trimmed in 3 ways: up, down and both. Figure 4 shows a schematic for trimming up the output voltage. A resistor between TRIM and VOUT- is added.

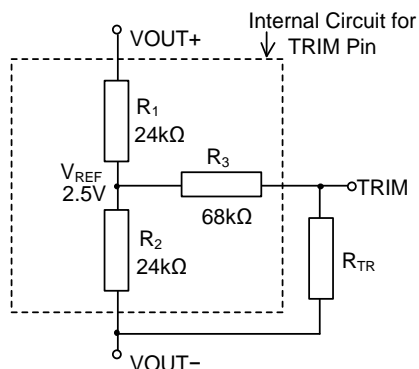


Figure 4. For Trimming Up the Output Voltage

$$V_{REF} = \frac{R_2 // (R_3 + R_{TR})}{R_1 + R_2 // (R_3 + R_{TR})} \times V_{OUT}$$

$$V_{OUT} = \left[1 + \frac{R_1}{R_2 // (R_3 + R_{TR})} \right] \times V_{REF}$$

$$V_{OUT} = 5 + \frac{60}{R_{TR} + 68}$$

$$R_{TR} = \frac{110}{V_{OUT} - 5} - 68 \quad (1)$$

Use formula (1) to determine the resistance for R_{TR} .

To trim down the output voltage, a resistor between TRIM and VOUT+ is added as shown in Figure 5.

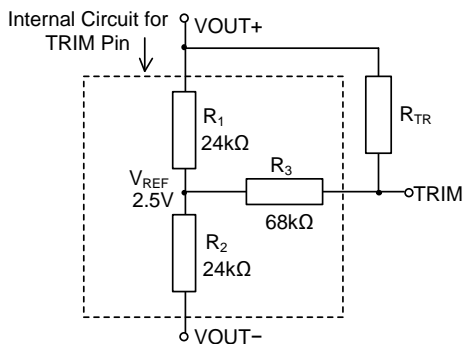


Figure 5. For Trimming Down the Output Voltage

$$V_{REF} = \frac{R_1 // (R_3 + R_{TR})}{R_2 + R_1 // (R_3 + R_{TR})} \times V_{OUT}$$

$$V_{OUT} = \left[1 + \frac{R_2}{R_1 // (R_3 + R_{TR})} \right] \times V_{REF}$$

$$V_{OUT} = 5 + \frac{60}{R_{TR} + 68}$$

$$R_{TR} = \frac{110}{V_{OUT} - 5} - 68 \quad (2)$$

Use formula (2) to calculate the trimming resistance shown in Figure 5.

To trim the output from 4.5V to 5.5V, a POT (Potentiometer) can be added as shown in Figure 6.

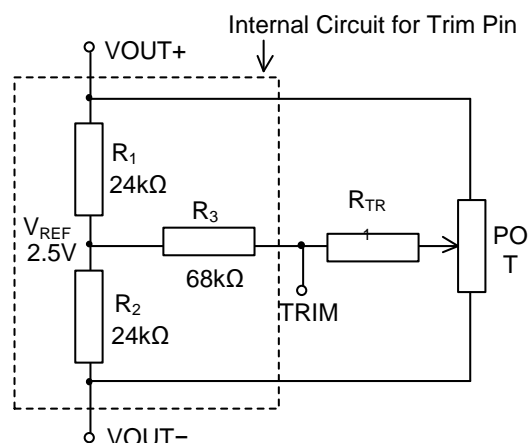


Figure 6. Trimming Output from 4.5V to 5.5V



TYPICAL APPLICATIONS

The simplest way to use AIDC24V5V10A is shown in Figure 7, where C_{IN} can be $47\mu F \sim 100\mu F$ and C_{OUT} $10\mu F \sim 22\mu F$. Choose a low ESR capacitor, such as MLCC (Multi-Layer Ceramic Capacitor) type, with appropriate voltage ratings.

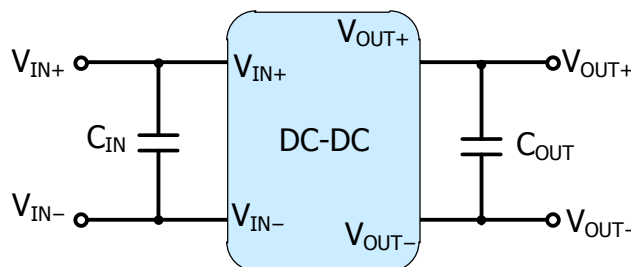


Figure 7. DC-DC Test Circuit

For applications requiring high isolations, especially at high frequencies, the schematic in Figure 8 can be used.

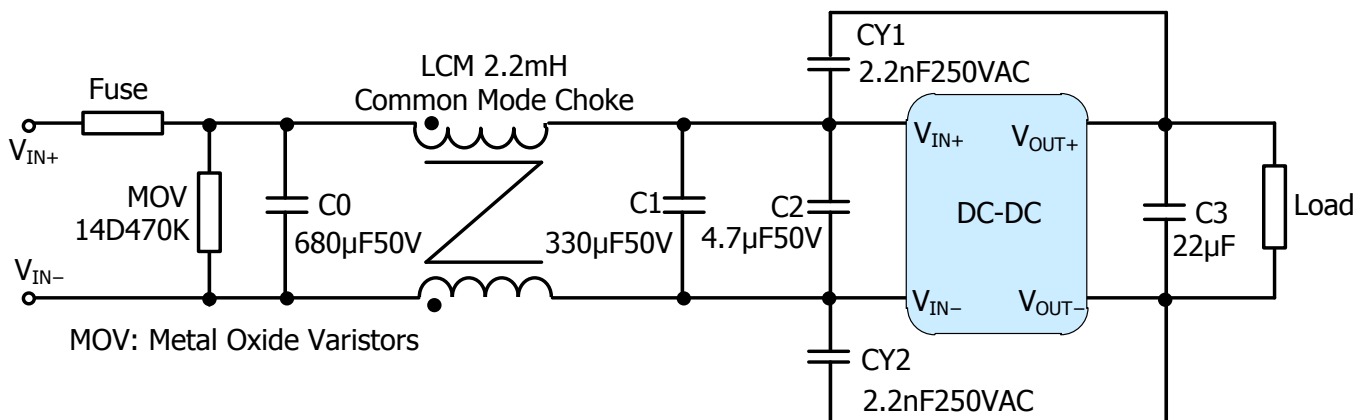
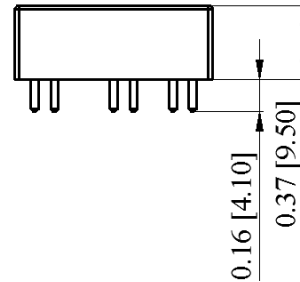
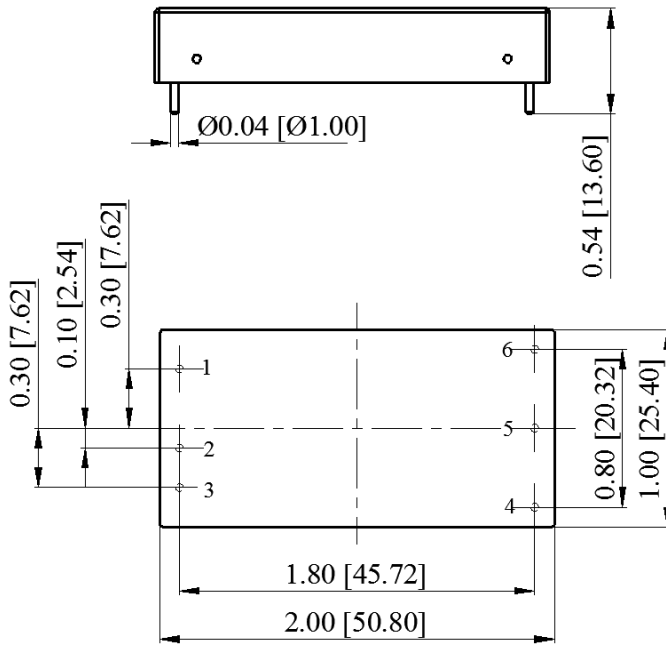


Figure 8. EMC Recommended Circuit



OUTLINE DIMENSIONS

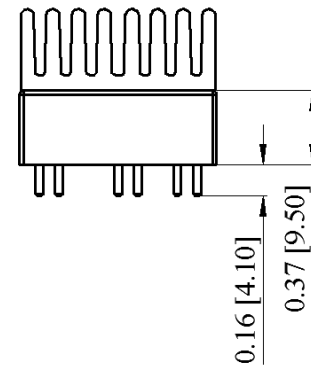
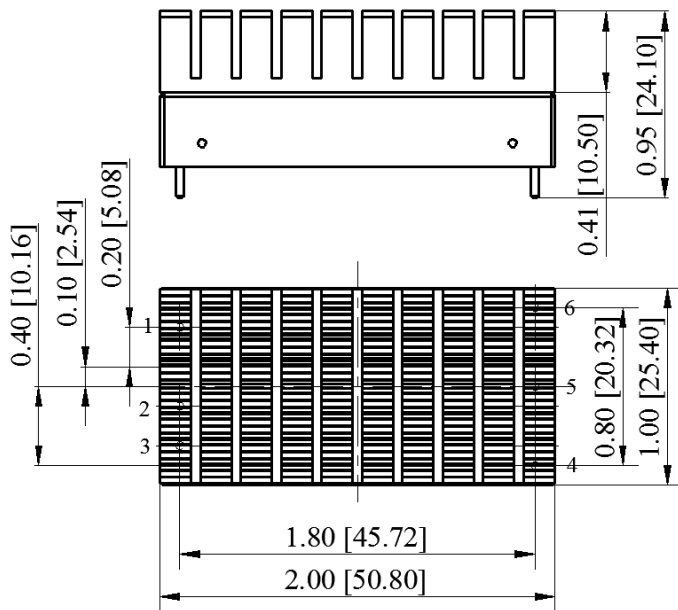
PCB Mount without Heat Sink(P)



End View	Side View
Top View	Unit: inch [mm]

NOTE:
Diameter Tolerance of Terminal Block: ± 0.004 [± 0.10]
Unmarked Tolerance: ± 0.02 [± 0.50]

PCB Mount with Heat Sink (PH)

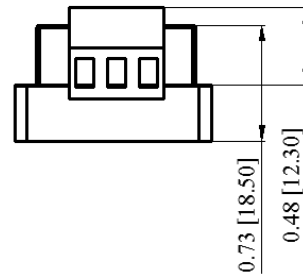
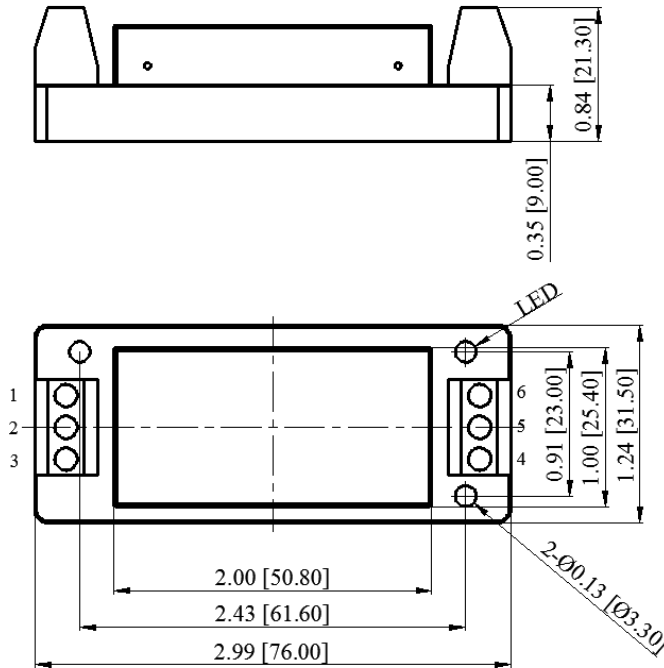


End View	Side View
Top View	Unit: inch [mm]

NOTE:
Diameter Tolerance of Terminal Block: ± 0.004 [± 0.10]
Unmarked Tolerance: ± 0.02 [± 0.50]



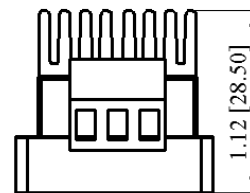
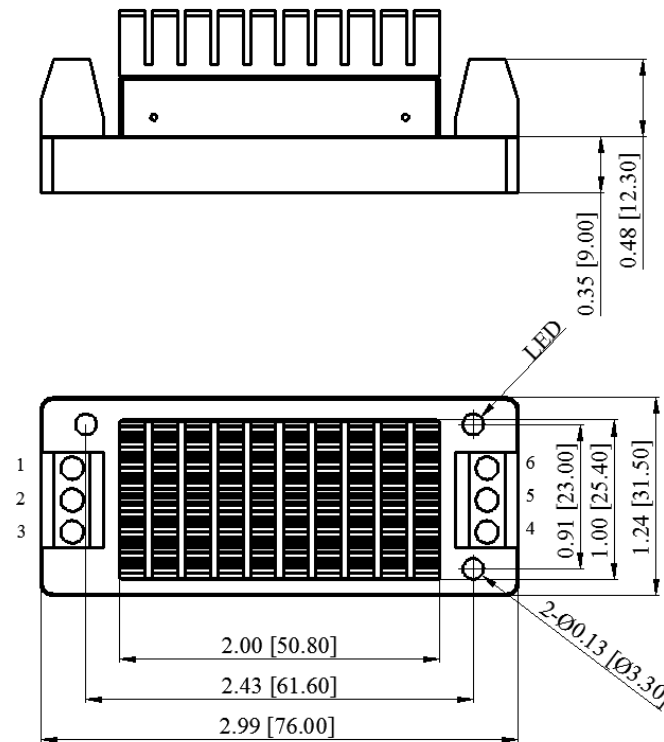
Terminal Block Mount without Heat Sink(T)



End View	Side View
Top View	Unit: inch [mm]

NOTE:
 Diameter Tolerance of Terminal Block: ±0.004 [±0.10]
 Unmarked Tolerance: ±0.02 [±0.50]

Terminal Block Mount with Heat Sink(TH)

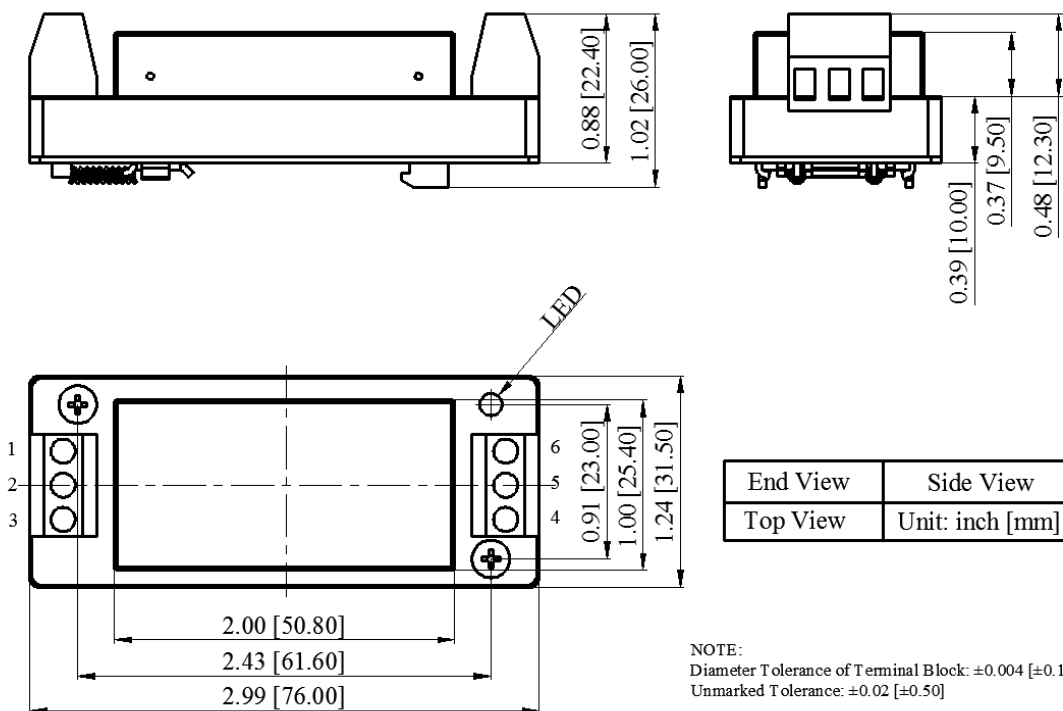


End View	Side View
Top View	Unit: inch [mm]

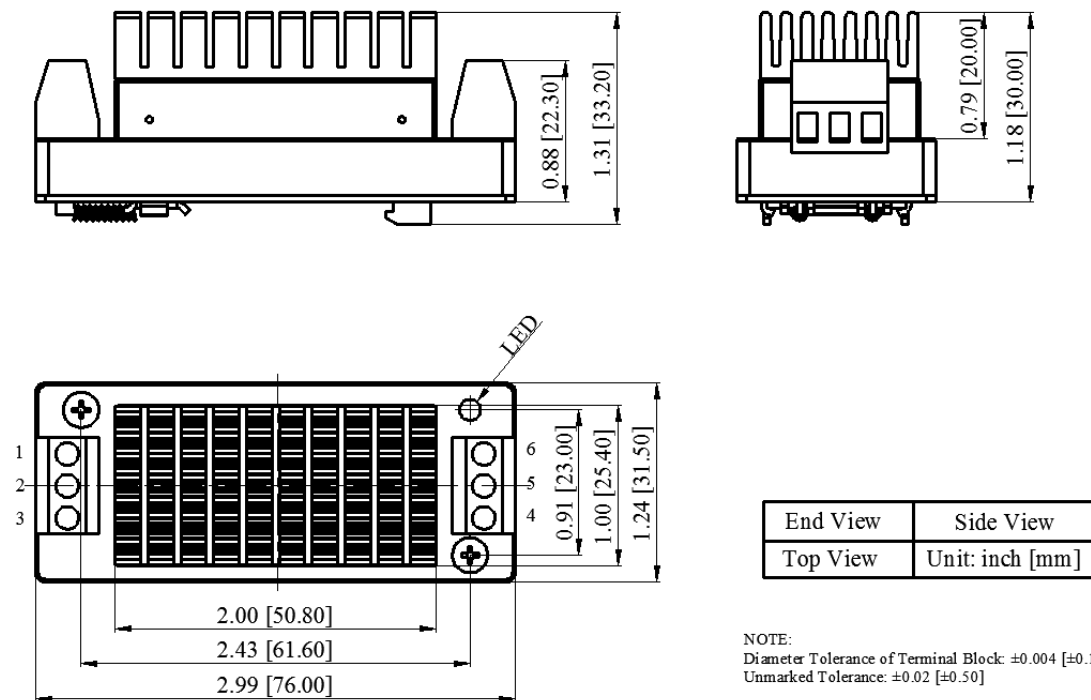
NOTE:
 Diameter Tolerance of Terminal Block: ±0.004 [±0.10]
 Unmarked Tolerance: ±0.02 [±0.50]



Terminal Block DIN Rail without Heat Sink(TD)



Terminal Block DIN Rail with Heat Sink (TDH)



ORDERING INFORMATION

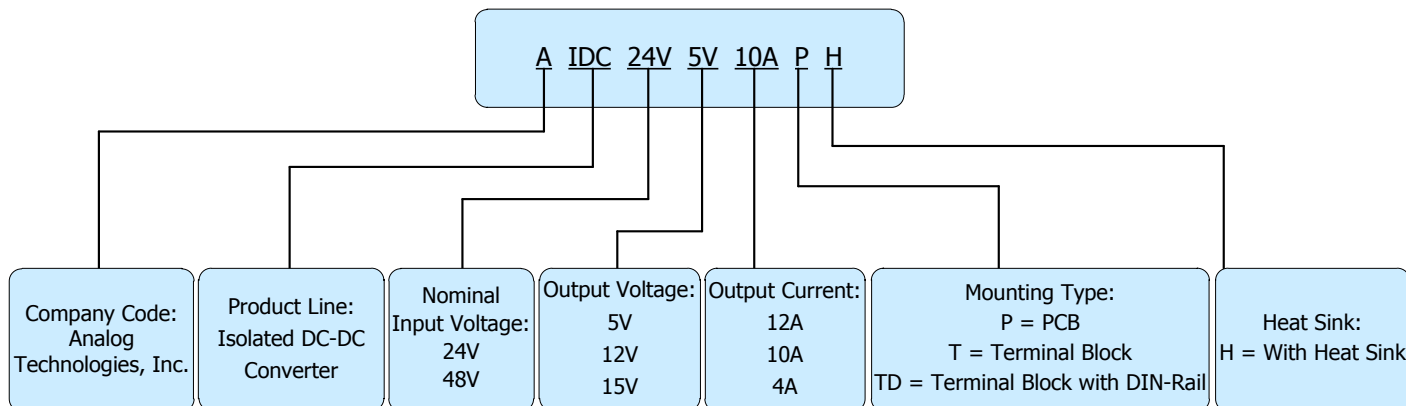


Figure 9. Naming Convention of AIDC24V5V10AP

Part Number	Buy Now
AIDC24V5V10AP	* *

*: both and are our online store icons. Our products can be ordered from either one of them with the same pricing and delivery time.

Table 4. AIDC24V5V10AXXX and Its Families

Product Model	Input Voltage		Output Voltage	Output Current	Input Current (mA)		MAX. Capacitive Load	Ripple & Noise 20MHz(Max)	Efficiency (%)	
	Typ.	Range	V	A	Full Load	No Load	µF	mV _{p-p}	Min.	Typ.
AIDC24V3R3V12AXXX*	24	18~36	3.3	12	1885	50	10000	100	84	87
AIDC24V5V10AXXX*			5	10	2315	50	8000	100	87	90
AIDC24V12V4AXXX*			12	4.16	2350	2	2000	100	86	89
AIDC24V15V3R3AXXX*			15	3.33	2315	2	1000	100	87	90
AIDC24V24V2AXXX*			24	2.08	2315	2	500	100	87	90
AIDC48V3V310AXXX*	48	36~75	3.3	10	790	50	10000	100	84	87
AIDC48V5V10AXXX*			5	10	1158	50	8000	100	85	87
AIDC48V12V4AXXX*			12	4.16	1158	2	2000	100	87	89
AIDC48V15V3R3AXXX*			15	3.33	1158	2	1000	100	87	90
AIDC48V24V2AXXX*			24	2.08	1158	2	500	100	87	90

*Note: See Figure 9.



NOTICE

1. ATI warrants its products to perform according to specifications for one year from the date of sale, except when damaged due to excessive abuse. If a product fails to meet specifications within one year of the sale, it can be exchanged free of charge.
2. ATI reserves the right to make changes or discontinue products or services without notice. Customers are advised to obtain the latest information before placing orders.
3. All products are sold subject to terms and conditions of sale, including those pertaining to warranty, patent infringement, and limitation of liability. Customers are responsible for their applications using ATI products, and ATI assumes no liability for applications assistance or customer product design.
4. ATI does not grant any license, either express or implied, under any patent right, copyright, mask work right, or other intellectual property right of ATI.
5. ATI's publication of information regarding third-party products or services does not constitute approval, warranty, or endorsement.
6. ATI retains ownership of all rights for special technologies, techniques, and designs for its products and projects, as well as any modifications, improvements, and inventions made by ATI.