



Figure 1. The Photo of ATLB3W20



Figure 2. The Physical Photo of ATLB3W20

FEATURES

- Compatible with Traditional Halogen E27/26/B22
- High Luminance
- Low Power Consumption
- High Stability
- Aluminum Alloy Heat-sink
- No UV Radiation
- Long Run Time
- UL Approved



Figure 3. A Replacement of Incandescent Bulbs for hotel or Home Use

APPLICATIONS

- Entertainment Lighting
- Architectural Lighting
- Landscape Lighting
- Security/Garden Lighting
- Interior Commercial Lighting

DESCRIPTION

ATLB3W20 is environment-friendly, energy-saving and has long service life. It can replace traditional bulbs directly and also can be used in family, hotel, stores and other indoor applications. The physical photos of the bulb are shown in Figure1, Figure 2. Figure 3 shows an application of this bulb, used in hotel or home for illumination.

This bulb has a reasonable, modern and elegant appearance. Scientific heat dissipation and optical design make it an excellent replacement bulb. At the meantime, multiple IP patents have guaranteed the uniqueness and performance of this bulb.

Wide voltage and frequency input make the bulb come without strobe; Transient response without delay; free turn-on and off; luminous decay is less than 5%.

Saving energy is another feature of this bulb. The light effect of the whole lamp reaches 60lm/W, saving electricity more than 6 times.

ATLB3W20 adopts three advanced high power LEDs as the light source. The run time of this bulb is 10 times longer than the other bulbs.

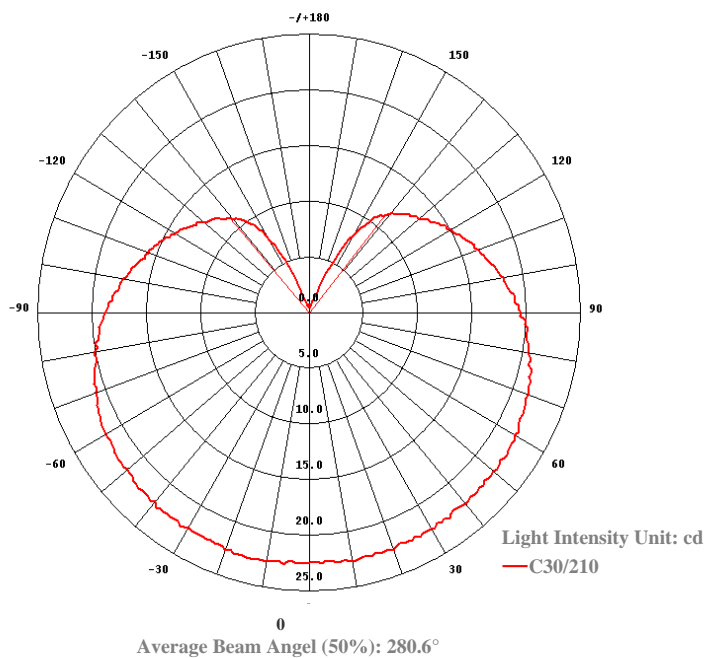


Figure 4. Lighting Angel Curve

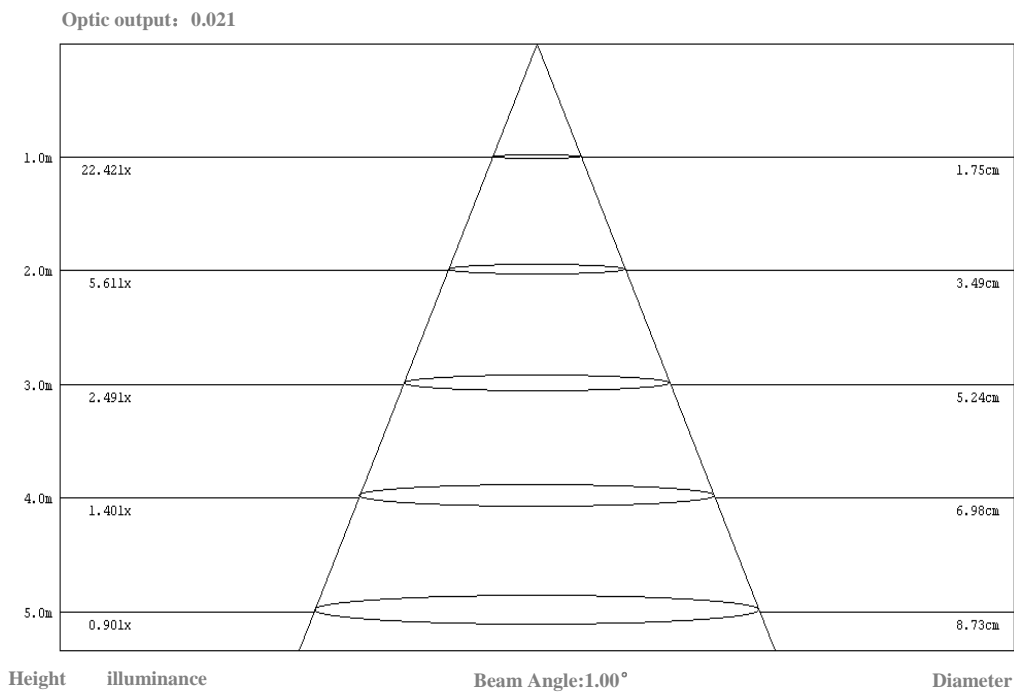


Figure 5. Block Diagram

COMPARISON

Figure 6 below shows the brightness comparison between a 3W LED and a 40W Tungsten lamp, from which it proves that the brightness of a 3W LED is nearly equal to a 40W Tungsten Lamp. 1-10 represents the brightness of different places in the lamp cover. The dimensions of the lamp cover are also shown in the figure below.

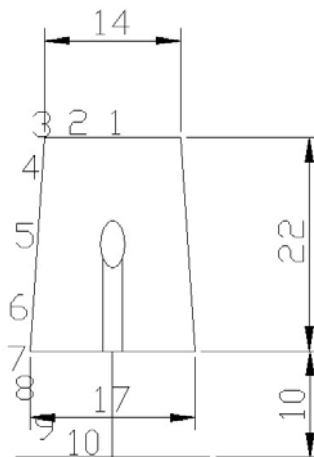
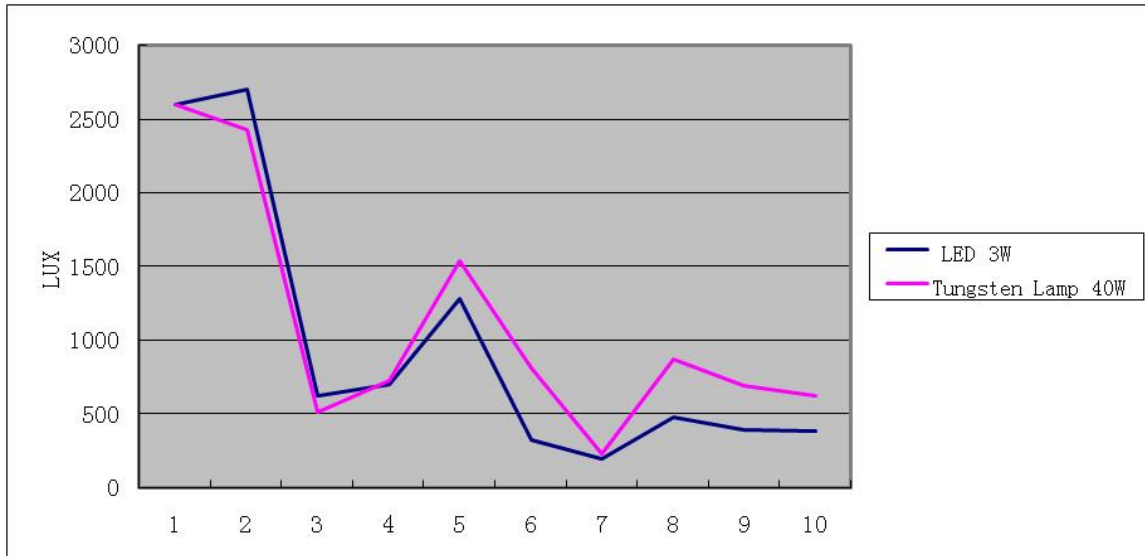


Figure 6. Brightness Comparison between A 3W LED and a 40W Tungsten Lamp

SPECIFICATIONS

Table 1. Characteristics.

Parameter	Value	Unit
Input Voltage	AC 100-240	V
LED Power	1W*3	W
Total Power	4.5	W
Luminous Flux	190	lumen



Output Current	330	mA
Color Rendering Index	≥75	
Beam Angle	270	°C

CONTRAST ON ENERGY-SAVING

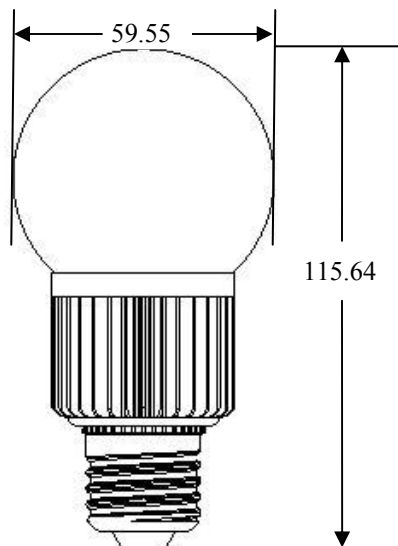
Item	LED Bulb	Traditional Incandescent Bulb
Power Consumption	0.0045KW=0.0045KWH 0.0045 X 20000 H =90KWH	0.025KW =0.025KWH 0.025 X 20000 H = 500KWH
Electricity Save	500 – 90 = 410 (KWH)	

Compared with a 25W traditional incandescent bulb, a 4.5W LED bulb can save 410KWH electricity when used for 2,000 hours.

OPERATING ENVIRONMENT

Material	Aluminum alloy + Glass
Working Environment	-20°C ~ +45°C Humidity < 90%
Storage Environment	-40°C ~ +80°C Humidity < 95%
Work Shell Temperature Rising	< 27°C
Work Internal Temperature Rising	< 37°C
Service Life	> 30000H
IP CODE	IP20

MECHANICAL DIMENSIONS



ATTENTION

1. Please use the correct power supply.
2. Please turn off the power before replacing the bulb.
3. Please read the instruction carefully before using.



NOTICE

1. ATI reserves the right to make changes to its products or to discontinue any product or service without notice, and advise customers to obtain the latest version of relevant information to verify, before placing orders, that information being relied on is current and complete.
2. All products are sold subject to the terms and conditions of sale supplied at the time of order acknowledgment, including those pertaining to warranty, patent infringement, and limitation of liability. Testing and other quality control techniques are utilized to the extent ATI deems necessary to support this warranty. Specific testing of all parameters of each device is not necessarily performed, except those mandated by government requirements.
3. Customers are responsible for their applications using ATI components. In order to minimize risks associated with the customers' applications, adequate design and operating safeguards must be provided by the customers to minimize inherent or procedural hazards. ATI assumes no liability for applications assistance or customer product design.
4. ATI does not warrant or represent that any license, either express or implied, is granted under any patent right, copyright, mask work right, or other intellectual property right of ATI covering or relating to any combination, machine, or process in which such products or services might be or are used. ATI's publication of information regarding any third party's products or services does not constitute ATI's approval, warranty or endorsement thereof.
5. IP (Intellectual Property) Ownership: ATI retains the ownership of full rights for special technologies and/or techniques embedded in its products, the designs for mechanics, optics, plus all modifications, improvements, and inventions made by ATI for its products and/or projects.