



Figure 1. The Physical Photos of AHVA100V2X50MA

MAIN FEATURES

- Built-in High Voltage Converter
- Compact Size: 181.5(L)×149.0(W)×38.3(H) mm
- High Current Capability: Up to 50mA
- High Slew Rate: 100V/μs
- Wide Output Voltage Range: $V_{OUT}=0\sim 100V@V_{IN}=24V$
- Offset Voltage Range: 10V
- Bandwidth: Up to 20kHz
- Weight: 2.2lb (1.0kg)

APPLICATIONS

High voltage amplifications for driving piezos and other high voltage loads.

DESCRIPTION

The AHVA100V2X50MA is an electronic module for amplifying an analog input voltage into a high voltage output. Figure 1 shows its physical photo. It comes with a high voltage DC-DC converter, which converts the 24V input voltage into a 0 to 100V output voltage. The analog output voltage can swing almost from 0 to 100V when it is powered by a 24V power supply. There is three LEDs indicating if the amplifier works properly.

Table 1. Descriptions of Terminal Block Pin Functions

Pin #	Name	Type	Description
1	VPS	Power Input	Power supply 24V.
2	PGND	Power Ground	Power ground pin.
3	LPGD	Digital Output	Loop good indication. When the amplifier is working properly, this pin goes high; otherwise, it goes low.
4	SBDN	Digital Input	This is a duplex pin. It sets the amplifier into Off, Standby or On mode.
5	AGND	Signal Ground	Signal ground pin. Connect ADC and DAC grounds to here.
6	10VR	Analog Output	10V voltage reference.
7	AIO	Analog Input	Output current indication. When going from 0 to 10V, it indicates the output current is from 0 to 50mA.
8	ACO	Analog Output	Output voltage indication. When going from 0 to 10V, it indicates the output voltage is from 0 to 100V.
9	BIASO	Analog Input	Output voltage setting. When going from 0 to 10V, it indicates the output voltage is from 0 to 100V. The pin is controlled by a potentiometer.
10	GND	Signal Ground	Signal ground pin. Connect ADC and DAC grounds to here.



Pin #	Name	Type	Description
BNC 1	ACIN	Analog Input	Output voltage setting. When going from 0 to 10V, it indicates the output voltage is from 0 to 100V.
BNC 2	AC+DC	Analog Input	AC+DC input control signal indication.
BNC 3	VOUT	Analog Output	Output voltage for driving the load.
	OGND	Output Ground	Connect this pin to the load return terminal.

SPECIFICATIONS

Table 2. Characteristics (Test ambient temperature $T_A = 25^\circ\text{C}$)

Parameter	Symbol	Test Conditions	Min.	Typ.	Max.	Units
Power Supply Input						
Input Range	V_{VPS}		23	24	25	V
Input Current	I_{IN}		0		4	A
Voltage Output						
Output Voltage	V_{OUT}		0		100	V
Output Current	I_{OUT}		0		48	mA
SBDN Pin (Pin 4)						
SBDN Voltage	$V_{SBDN-ON}$		2.64		V_{VPS}	V
	$V_{SBDN-STANDBY}$		2.1		2.5	V
	$V_{SBDN-OFF}$		0		0.4	V
	$V_{SBDN-SB-HI}$ Going up from Standby to On threshold voltage		2.508		2.64	V
	$V_{SBDN-SB-LOW}$ Going down from On to Standby threshold voltage		2.5		2.6	V
	$V_{SBDN-OFF-HI}$ Going up from Off to Standby threshold voltage				2.1	V
	$V_{SBDN-OFF-LOW}$ Going down from Standby to Off threshold voltage		0.4			V
SBDN Current	I_{SBDN}			10	20	μA
LPGD Pin (Pin 3)						
LPGD Voltage	$V_{LPGD-LOW}$	$V_{DD} = 5\text{V}$ Sourcing current = 8mA			0.6	V
	$V_{LPGD-HI}$	$V_{DD} = 5\text{V}$ Sourcing current = 3.5mA	$V_{DD} - 0.7$			V



Parameter	Symbol	Test Conditions	Min.	Typ.	Max.	Units
10VR Pin (Pin 6)						
Voltage Reference	V_{REF}			10		V
Maximum Input Power				5		W
Maximum Slew Rate				100		V/ μ s

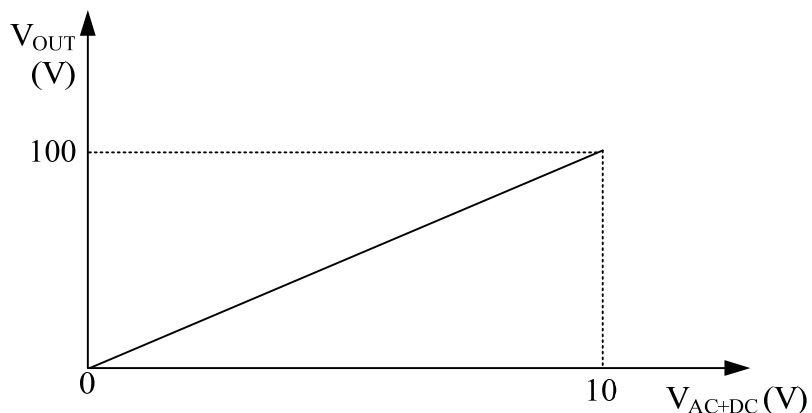


Figure 2. V_{OUT} vs. V_{VIN}

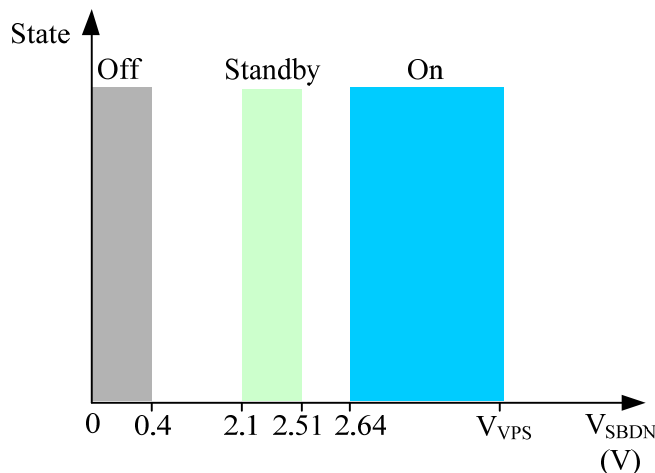
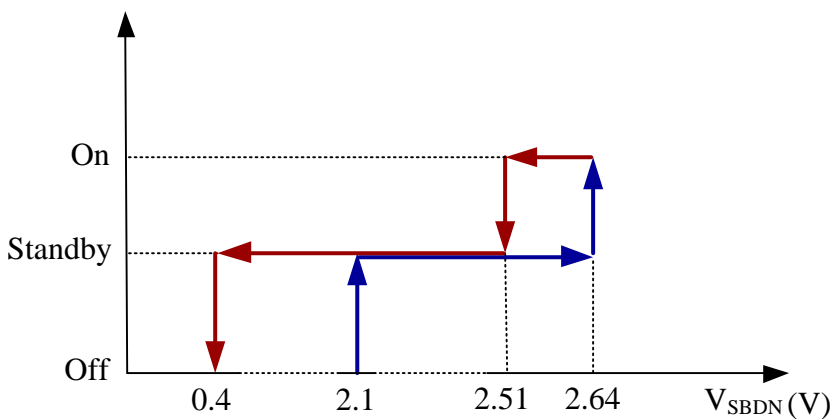


Figure 3. The States of Amplifier vs. V_{SBDN}

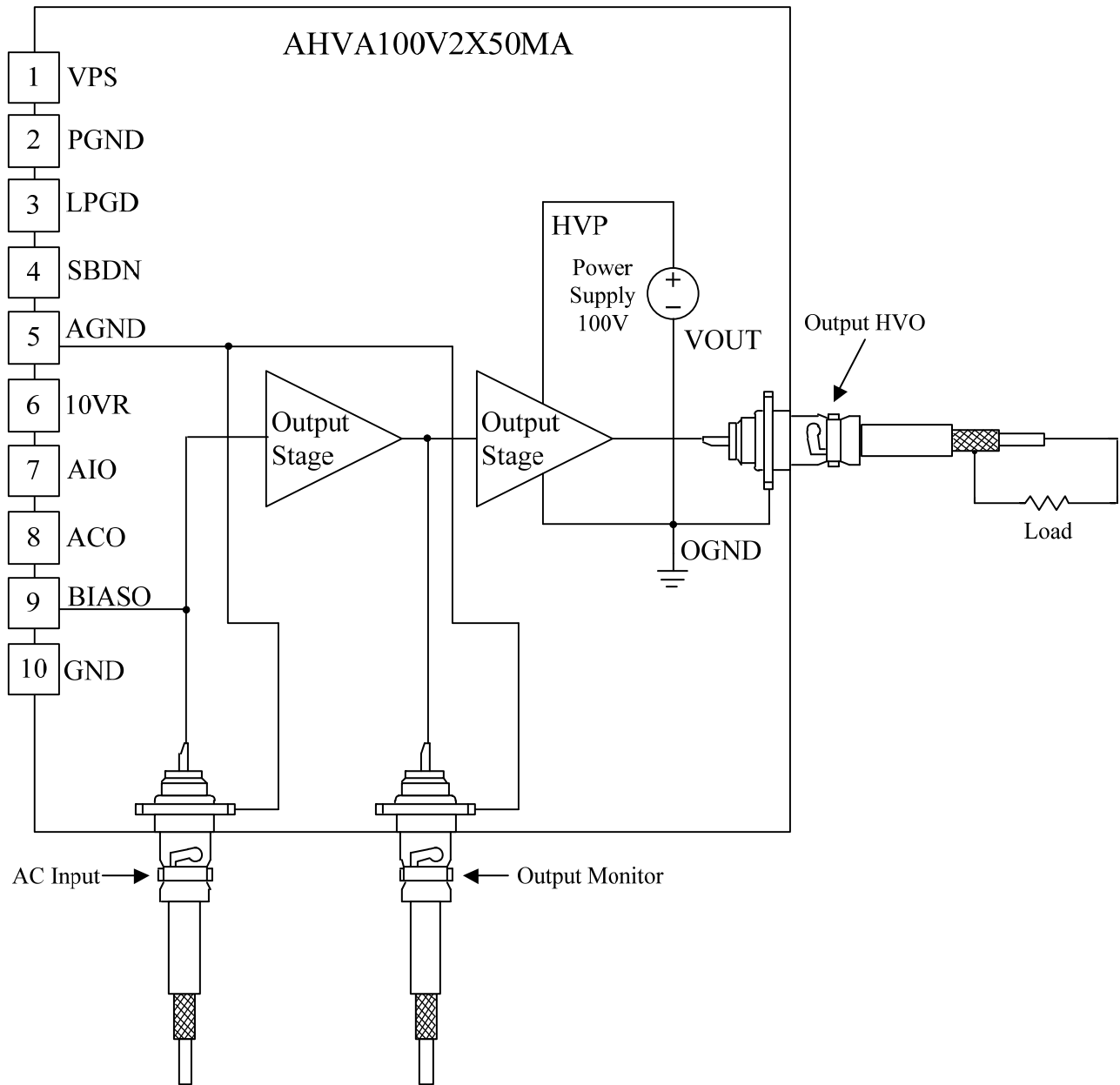


Figure 4. Schematic for Driving the Load

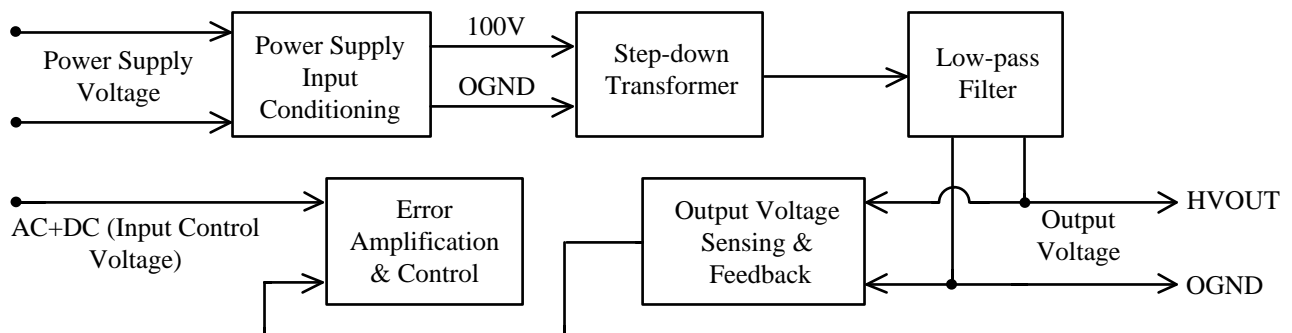
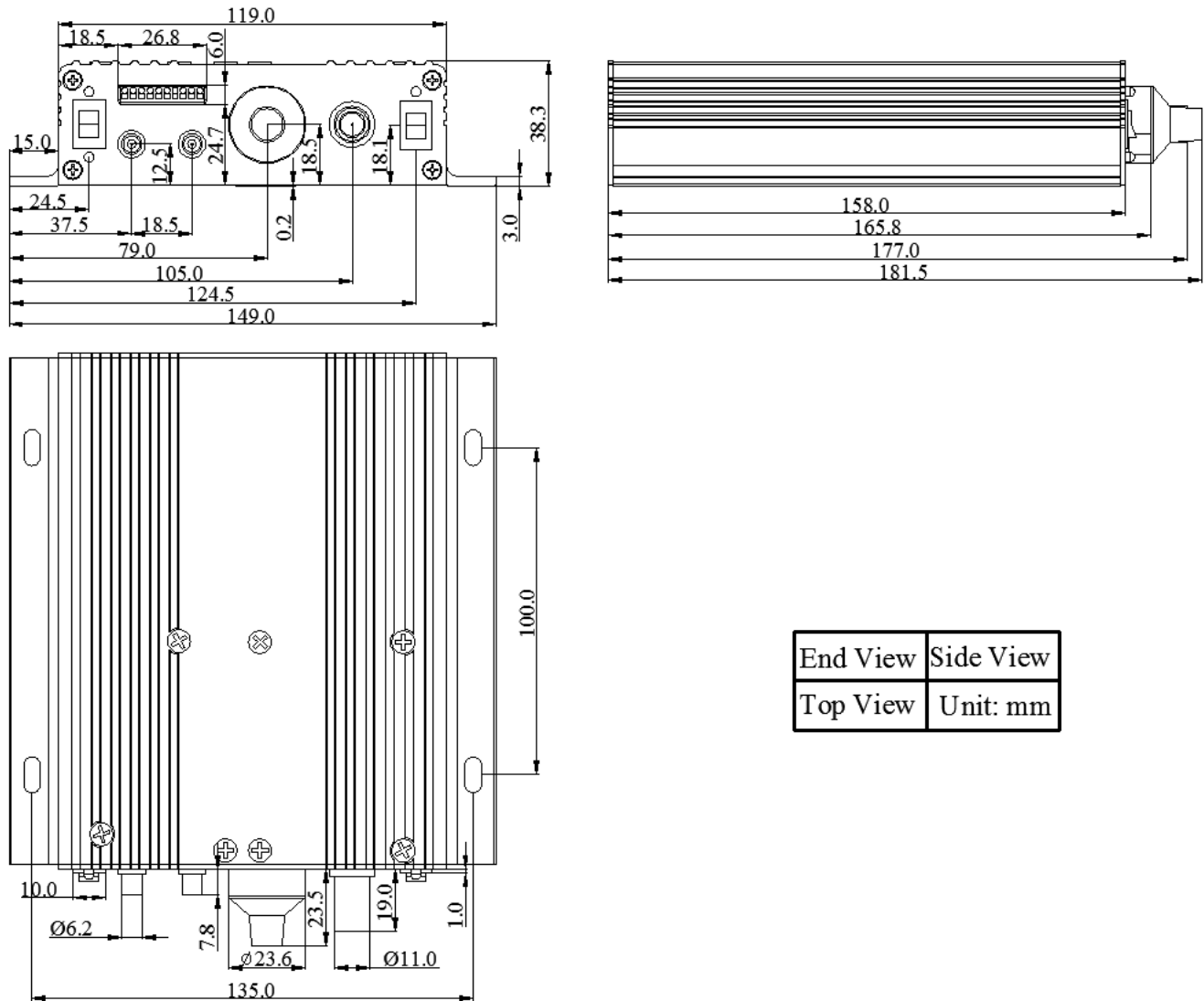


Figure 5. Block Diagram

DIMENSIONS


End View	Side View
Top View	Unit: mm

Figure 6. Dimensions of AHVA100V2X50MA

ORDERING INFORMATION
Table 3. Part Number

Part Number	Description
AHVA100V2X50MA	100V high voltage amplifier

Table 4. Unit Price

Quantity (pcs)	1 – 4	5 – 8	9 – 12	13 – 16	17 – 20	≥21
Unit Price	\$1099	\$1049	\$999	\$949	\$899	\$849



NOTICE

1. ATI warrants performance of its products for one year to the specifications applicable at the time of sale, except for those being damaged by excessive abuse. Products found not meeting the specifications within one year from the date of sale can be exchanged free of charge.
2. ATI reserves the right to make changes to its products or to discontinue any product or service without notice, and advise customers to obtain the latest version of relevant information to verify, before placing orders, that information being relied on is current and complete.
3. All products are sold subject to the terms and conditions of sale supplied at the time of order acknowledgment, including those pertaining to warranty, patent infringement, and limitation of liability. Testing and other quality control techniques are utilized to the extent ATI deems necessary to support this warranty. Specific testing of all parameters of each device is not necessarily performed, except those mandated by government requirements.
4. Customers are responsible for their applications using ATI components. In order to minimize risks associated with the customers' applications, adequate design and operating safeguards must be provided by the customers to minimize inherent or procedural hazards. ATI assumes no liability for applications assistance or customer product design.
5. ATI does not warrant or represent that any license, either express or implied, is granted under any patent right, copyright, mask work right, or other intellectual property right of ATI covering or relating to any combination, machine, or process in which such products or services might be or are used. ATI's publication of information regarding any third party's products or services does not constitute ATI's approval, warranty or endorsement thereof.
6. IP (Intellectual Property) Ownership: ATI retains the ownership of full rights for special technologies and/or techniques embedded in its products, the designs for mechanics, optics, plus all modifications, improvements, and inventions made by ATI for its products and/or projects.