

Figure 1. Physical Photo of AHV5V3KV1MAW

**FEATURES**

- High precision
- Full modulation range on output voltage
- Linear regulation

**APPLICATIONS**

This power module, AHV5V3KV1MAW, is designed for achieving DC-DC conversion from low voltage to high voltage. High voltage power supply is widely used in industry, agriculture, national defense, scientific research and other fields including: X-ray machine high voltage power supply, laser high voltage power supply, spectral analysis high voltage power supply, etc. They are widely applied in ion beam deposition, ion beam assisted deposition, electron beam evaporation, electron beam welding, ion source, DC reactive magnetron sputtering, glass / fabric coating, glow discharge, microwave treatment high voltage capacitance test, CRT monitor test, high voltage cable fault test (PD testing), TWT test, and H-POT test. Particle accelerator, free electron

laser, neutron source, cyclotron accelerator, capacitor and inductance pulse generator, Marx high voltage pulse generator, and capacitor charger. Microwave heating, radio frequency amplification, nanotechnology application, electrostatic technology application, electrospinning preparation of nanofiber, high voltage power supply for nuclear power and other products.

**DESCRIPTION**

Draw a clear distinction between input lead and output lead: input 5V (USB port), regulation wire (BNC port), and output high voltage cable (RG95 coaxial cable).

**SAFETY PRECAUTIONS**

The internal protection circuit is provided in the high voltage power supply, but the high voltage short circuit shall be avoided. Make sure the circuit is insulated perfectly, especially between the high voltage output and the surroundings so as to avoid electronic shock.



**SPECIFICATIONS**

Table 1. Characteristics.  $T_A = 25^\circ\text{C}$ , unless otherwise noted

Parameter	Symbol	Condition	Min.	Typ.	Max.	Unit/Note
Input Voltage	VPS		4.5	5	5.5	V
Quiescent Input Current	$I_{INQQ}$	$I_{OUT} = 0\text{mA}$	150	200	250	mA
Full Load Input Current	$I_{INFLD}$	$I_{OUT} = 1.0\text{mA}$	800	900	1000	mA
Input Voltage Regulation Ratio	$\Delta V_{OUT}/\Delta V_{PS}$	VPS = 4.5V ~ 5.5V		0.1		%
Output Voltage	$V_{OUT}$	$I_{OUT} = 0 \sim 1.0\text{mA}$	0		3000	V
Maximum Output Current	$I_{OUTMAX}$	VPS = 4.5V ~ 5.5V			1.0	mA
Load				3		MΩ
Regulation Mode			0 ~ 2V			
Control Input vs. Output Linearity	$\Delta V_{REF}/\Delta V_{OUT}$			<0.2		%
Load Regulation Rate		$I_{OUT} = 0 \sim 1.0\text{mA}$		≤0.05		%
Instantaneous Short Circuit Current	$I_{SC}$			<50		mA
Full Load Efficiency	$\eta$			≥70		%
Temperature Coefficient	$TCV_O$	-20 ~ 50°C		<0.01		%/°C
Time Drift	Short Time Drift			<0.5		%/ min
	Long Time Drift			<0.5		%/h
Output Voltage Temperature Stability		-20 ~ 50°C		<±0.5		%
Operating Temperature Range	$T_{opr}$		-20		55	°C
Storage Temperature Range	$T_{stg}$		-55		100	°C
External Dimensions			100×90×30			mm
Weight				360		g
				0.80		lbs
				12.70		Oz



TESTING DATA

I. DC Testing

High voltage power supply testing data (Test condition: the load is 3 MΩ)

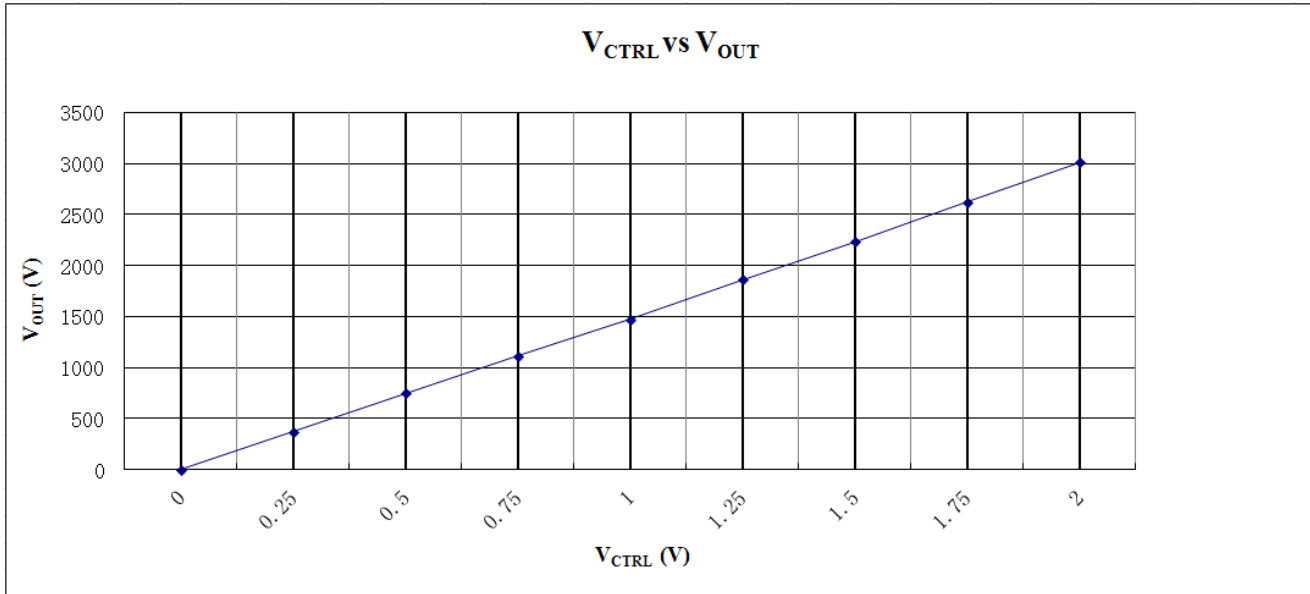


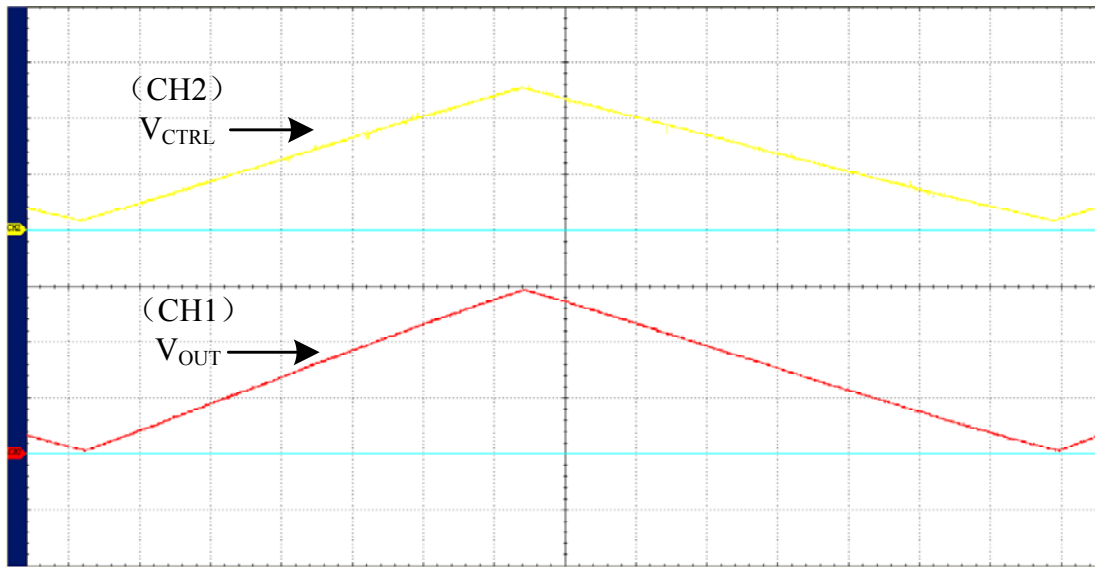
Figure 2. V<sub>CTRL</sub> VS. V<sub>OUT</sub>

II. AC Testing

Waveform curve and rise & fall time are tested by using the control voltage supplied by signal generator.

Under the testing condition of modulation frequency 0.1Hz, control voltage 0.25 ~ 2V, and 3MΩ load, the output voltage is 370 ~ 3000V.

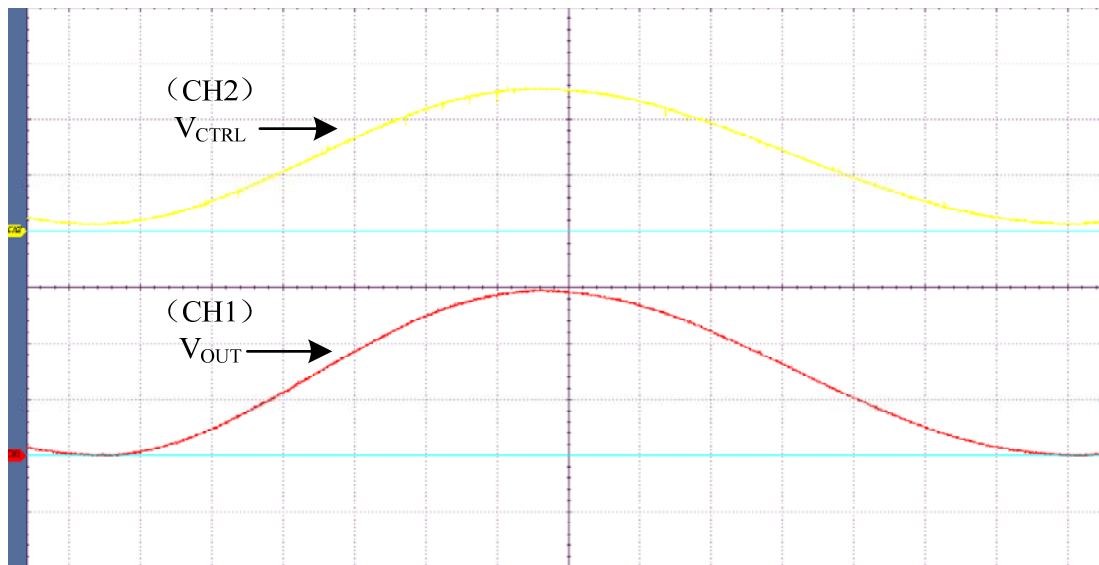
Note: as shown in the figures below, the output voltage is represented by yellow line and the control voltage by red line.



CH1: 1000V/Div CH2: 2V/Div M: 500ms

$V_{CTRL}$ : 0.25V ~ 2V  $V_{OUT}$ : 370V ~ 3000V

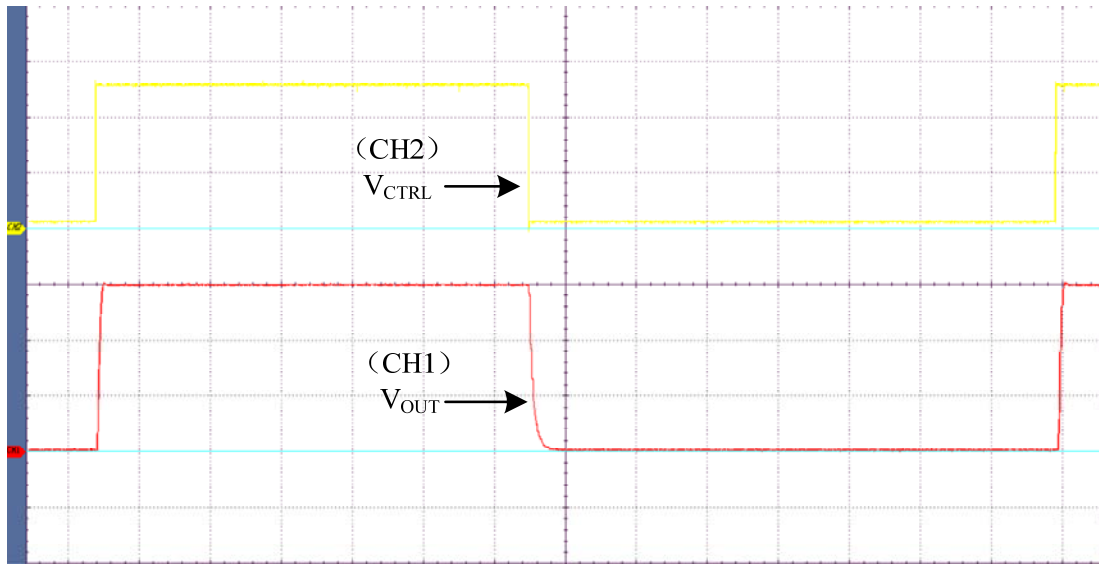
Figure 3. Triangle Wave



CH1: 1000V/Div CH2: 2V/Div M: 500ms

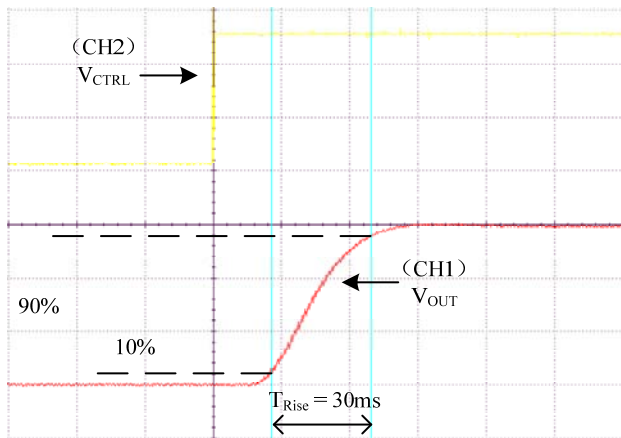
$V_{CTRL}$ : 0.25V ~ 2V  $V_{OUT}$ : 370V ~ 3000V

Figure 4. Sine Wave



CH1: 1000V/Div CH2: 2V/Div M: 500ms  
 $V_{CTRL}$ : 0.25V ~ 2V  $V_{OUT}$ : 370V ~ 3000V

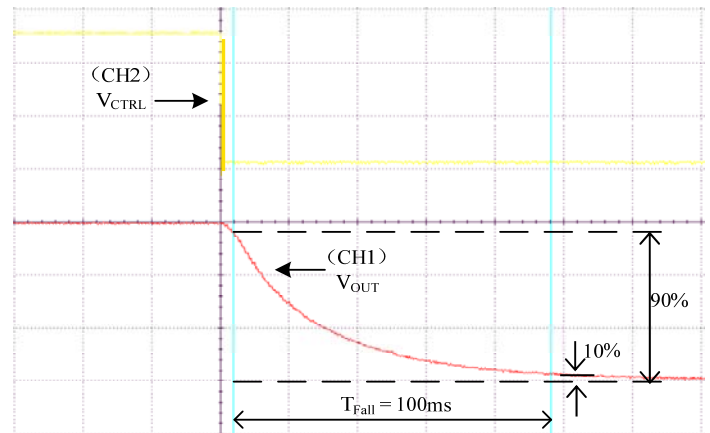
Figure 5. Square Wave



CH1: 1000V/Div CH2: 2V/Div M: 20ms  
 $V_{CTRL}$ : 0.25V ~ 2V  $V_{OUT}$ : 370V ~ 3000V

Figure 6. Rise Time

As shown in Figure 6, when a square wave of 0.25V ~ 2V,  $F=0.10Hz$  is applied to Control, measure the waveform. The rise time is about 30ms.



CH1: 1000V/Div CH2: 2V/Div M: 20ms  
 $V_{CTRL}$ : 0.25V ~ 2V  $V_{OUT}$ : 370V ~ 3000V

Figure 7. Fall Time

As shown in Figure 7, when a square wave of 0.25V ~ 2V,  $F=0.10Hz$  is applied to Control, measure the waveform. The fall time is about 100ms.



THE CONNECTION DIAGRAM OF MODULE'S PERIPHERAL CIRCUIT

The leads colors in the figures below are identical with those in the physical AHV5V3KV1MAW.

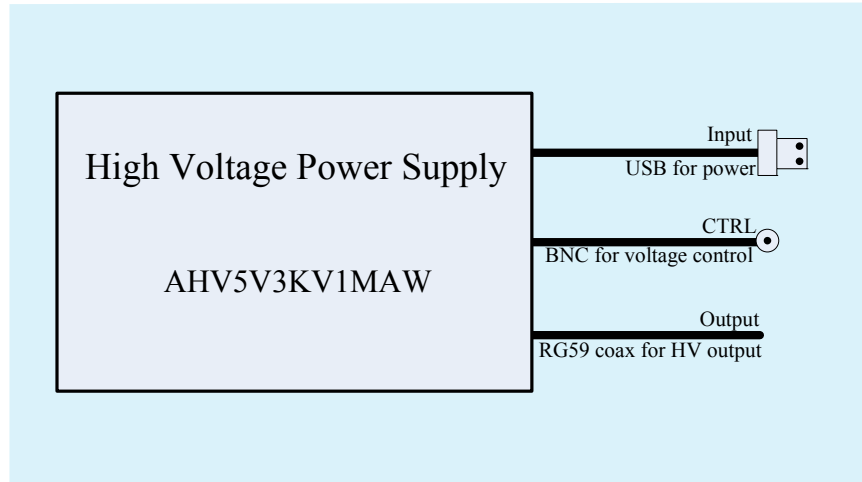


Figure 8. Controlled by External Signal Source

Naming instructions

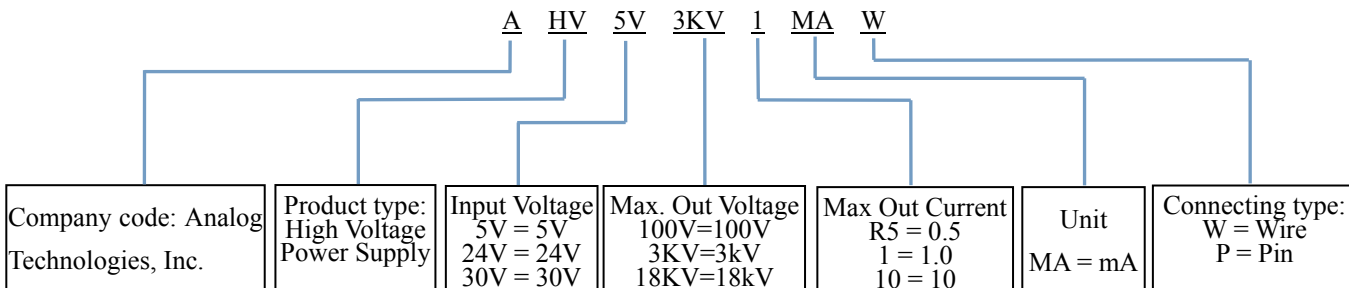


Figure 9. Physical Photo of AHV5V3KV1MAW



**DIMENSIONS**

I. Dimension of the leads.

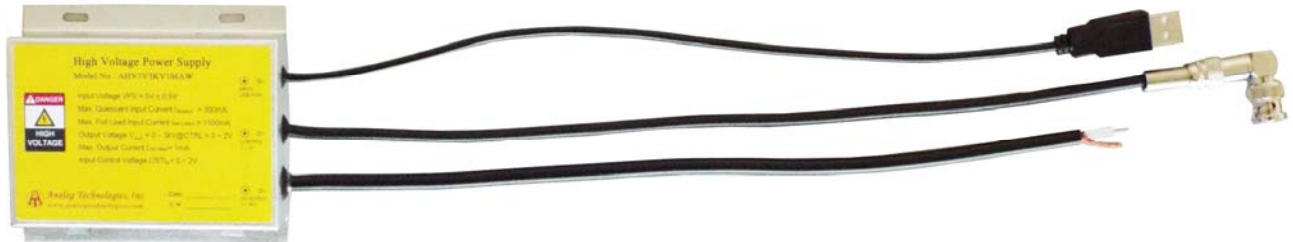


Figure 10. Leads of AHV5V3KV1MAW

Leads	Diameter (mm)	Length (mm)
USB	3.5	280
BNC	4.5	330
RG95 coaxial cable	6.0	300

II. Dimension of AHV5V3KV1MAW.

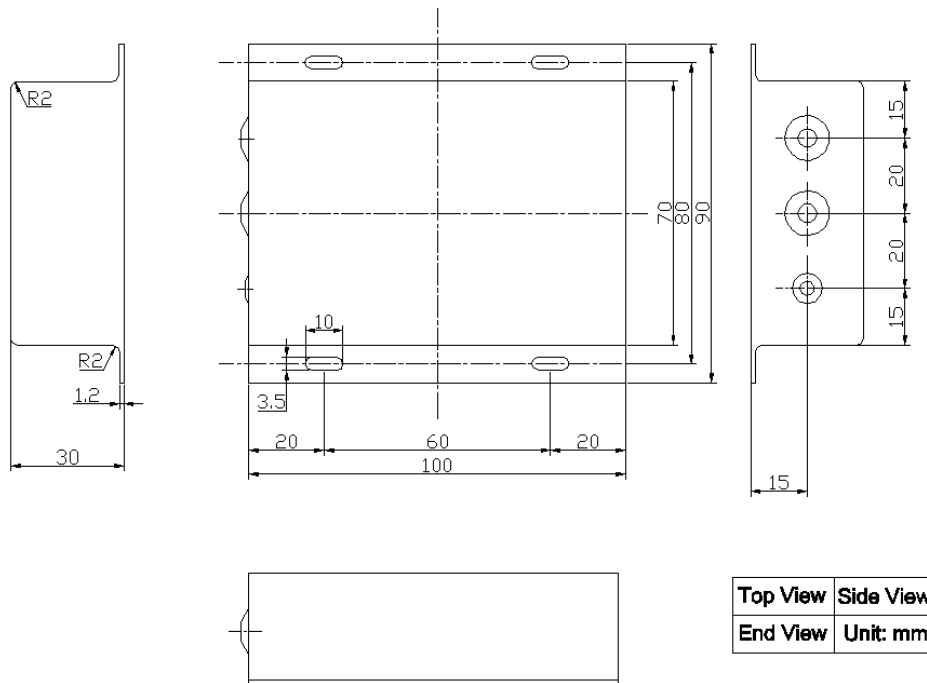


Figure 11. Dimensions for AHV5V3KV1MAW



PRICES

Quantity	1~9pcs	10~49pcs	50~99pcs	≥100
AHV5V3KV1MAW	\$129	\$119	\$109	\$99

NOTICE

- ATI warrants performance of its products for one year to the specifications applicable at the time of sale, except for those being damaged by excessive abuse. Products found not meeting the specifications within one year from the date of sale can be exchanged free of charge.
- ATI reserves the right to make changes to its products or to discontinue any product or service without notice, and advise customers to obtain the latest version of relevant information to verify, before placing orders, that information being relied on is current and complete.
- All products are sold subject to the terms and conditions of sale supplied at the time of order acknowledgment, including those pertaining to warranty, patent infringement, and limitation of liability. Testing and other quality control techniques are utilized to the extent ATI deems necessary to support this warranty. Specific testing of all parameters of each device is not necessarily performed, except those mandated by government requirements.
- Customers are responsible for their applications using ATI components. In order to minimize risks associated with the customers' applications, adequate design and operating safeguards must be provided by the customers to minimize inherent or procedural hazards. ATI assumes no liability for applications assistance or customer product design.
- ATI does not warrant or represent that any license, either express or implied, is granted under any patent right, copyright, mask work right, or other intellectual property right of ATI covering or relating to any combination, machine, or process in which such products or services might be or are used. ATI's publication of information regarding any third party's products or services does not constitute ATI's approval, warranty or endorsement thereof.
- IP (Intellectual Property) Ownership: ATI retains the ownership of full rights for special technologies and/or techniques embedded in its products, the designs for mechanics, optics, plus all modifications, improvements, and inventions made by ATI for its products and/or projects.